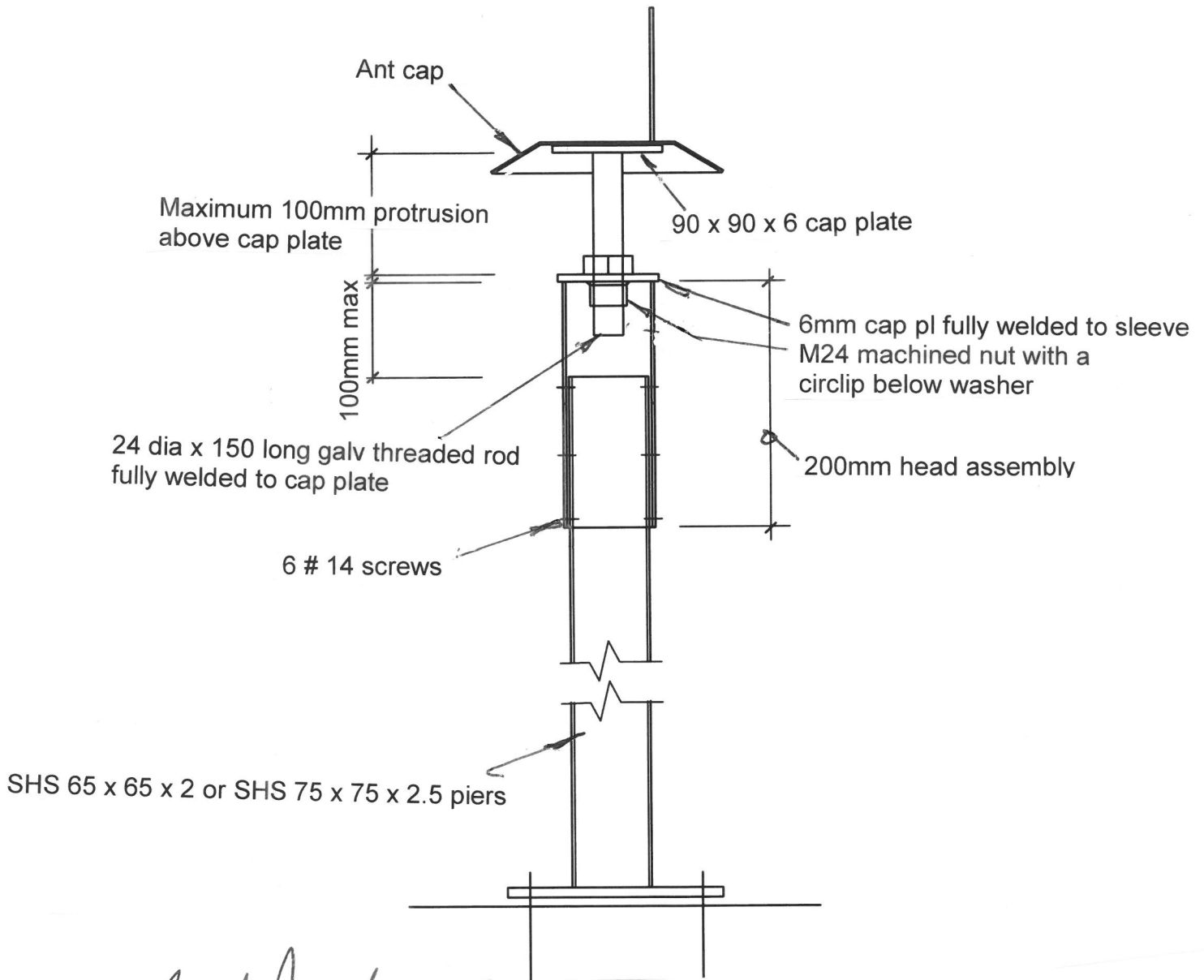


Ref 103252

Date 2 November 2017

Uni-Pier Australia Pty Ltd
SCREW TOP Uni-Piers

This option for Uni-Piers to be read in conjunction with the Selection Guide published by Uni-Pier Australia Pty Ltd.




Trevor B Hall BSc(Eng) FIEAust CPEng NER RPEQ 5081

KNEEBONE, BERETTA & HALL PTY LTD

Consulting Structural & Civil Engineers

DESIGN SUITABLE FOR STEEL OR
TIMBER FRAMED DOMESTIC FLOORS