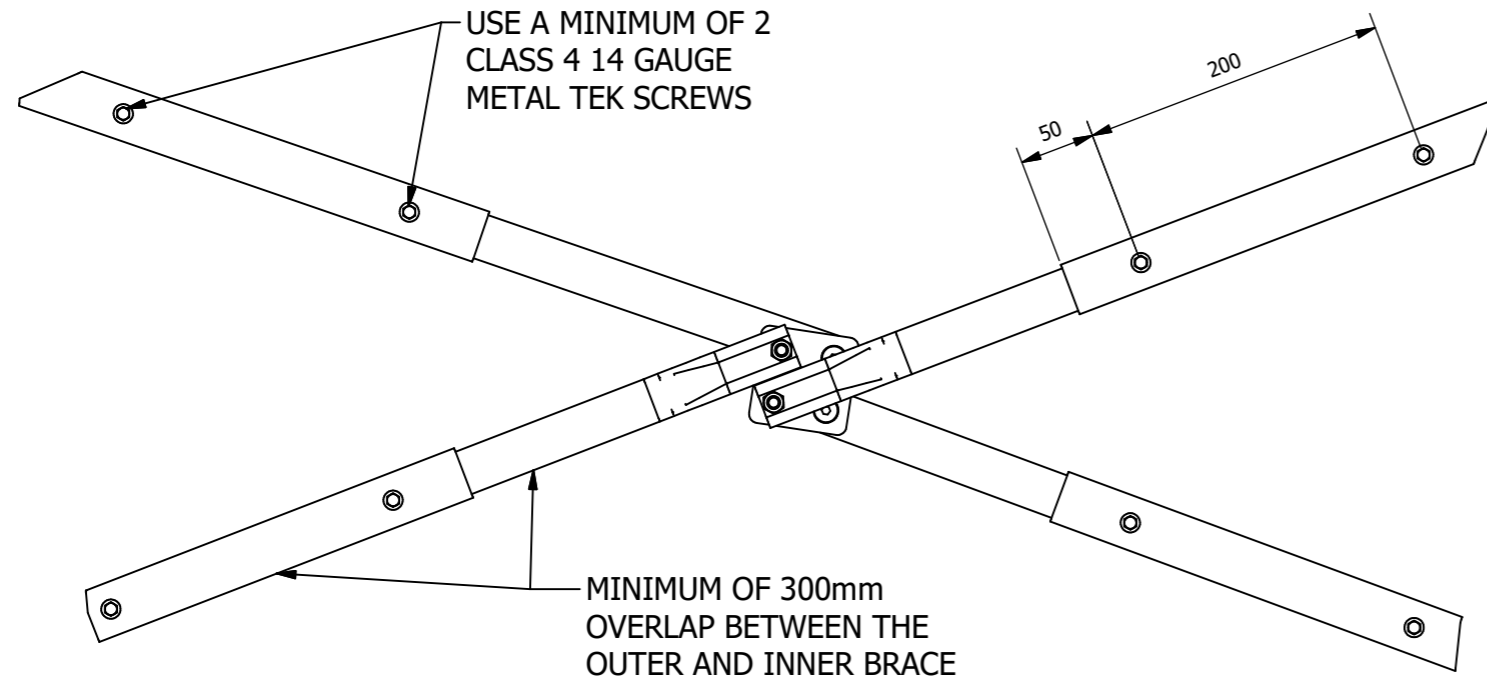
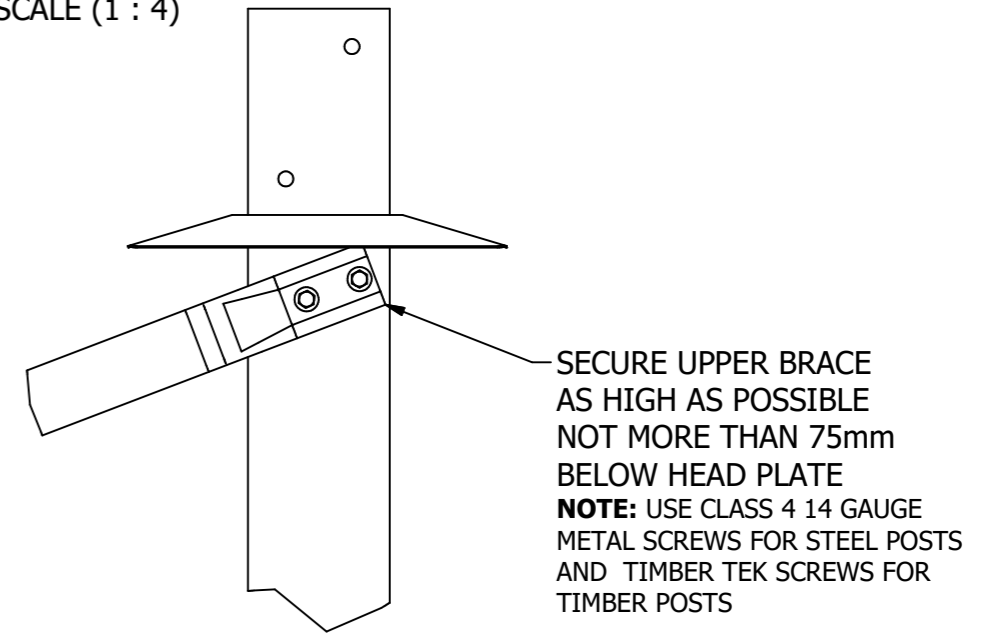


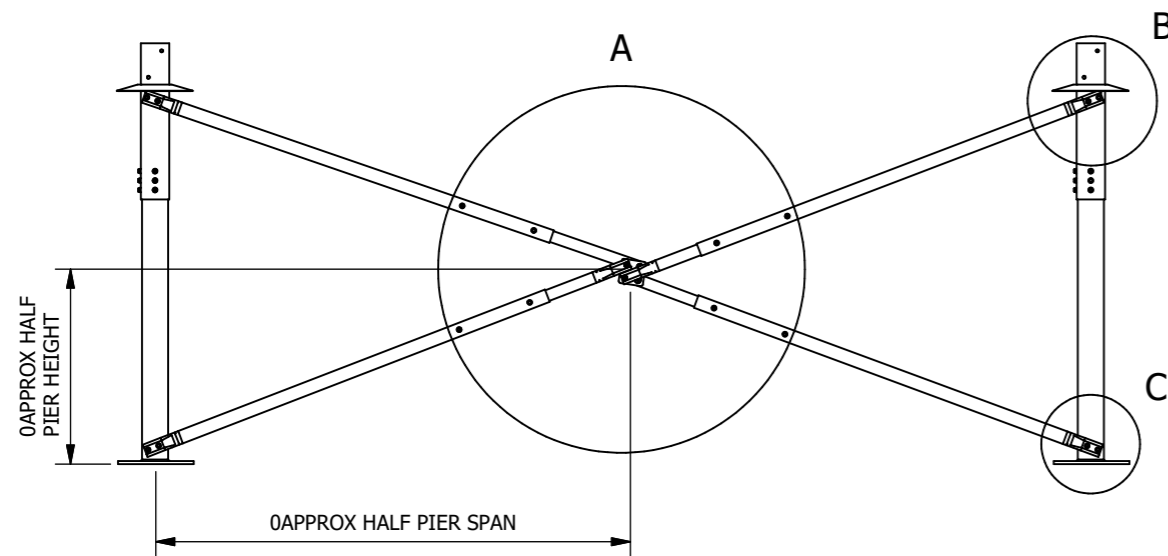
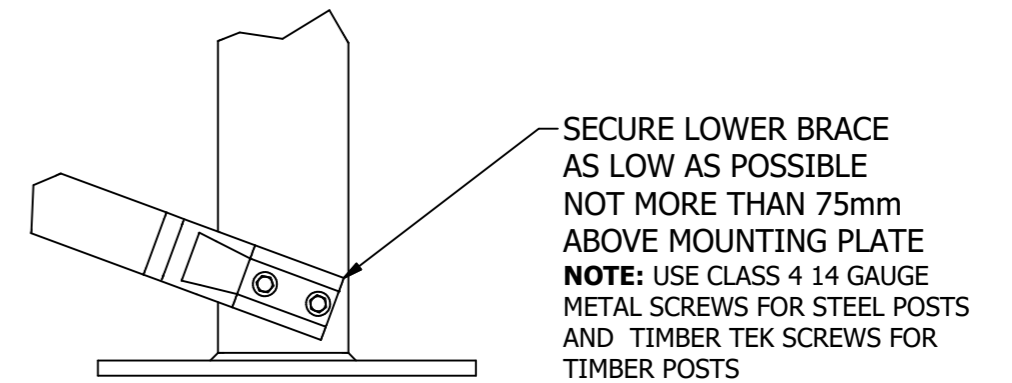
DETAIL "A"
SCALE (1 : 5)



DETAIL "B"
SCALE (1 : 4)



DETAIL "C"
SCALE (1 : 4)



SHOWING TYPICAL INSTALLATION FOR THE Uni-Brace SYSTEM
SCALE 1:20

Note: All Uni-Pier products must be installed in accordance with the Uni-Brace Technical Drawings or to Structural Engineers details

ALL DIMENSIONS IN MILLIMETERS		Description		Drawing No.		Sheet	Revision		
Scale: VARIABLE		Uni-Brace ASSEMBLY		Uni Pier 2021-009		1	2		
Material: AS NOTED				UNI Pier Australia Pty Ltd					
Finish:		Drawn By: K Robards 01.04.21	TOLERANCE NOT SHOWN	A3					
		Checked By: K Bennett 02.04.21	General = ± 0.25 Hole = + 0.1 / - 0.0 Angular = ± 0'30"						
		Eng. Appd:		<small>This drawing is the property of UNI Pier Australia Pty Limited and is protected by Copyright and not transferable. It is illegal to copy, communicate and/or disseminate this drawing to third party without written permission from UNI Pier Australia Pty Limited and any infringement will be prosecuted under Australian & International Law.</small>					