



Uni-Pier

Extra Heavy Grade

75 x 75 x 4mm SHS Post

TECHNICAL DRAWINGS

75x75x4mm SHS Post

Telescopic Head/ Screw Top Head - I-Beam Support System
(Base Plate Bolted To Concrete)

1

75x75x4mm SHS Post

Telescopic Head - Bearer Middle Support
(Base Plate Bolted To Concrete)

2

75x75x4mm SHS Post

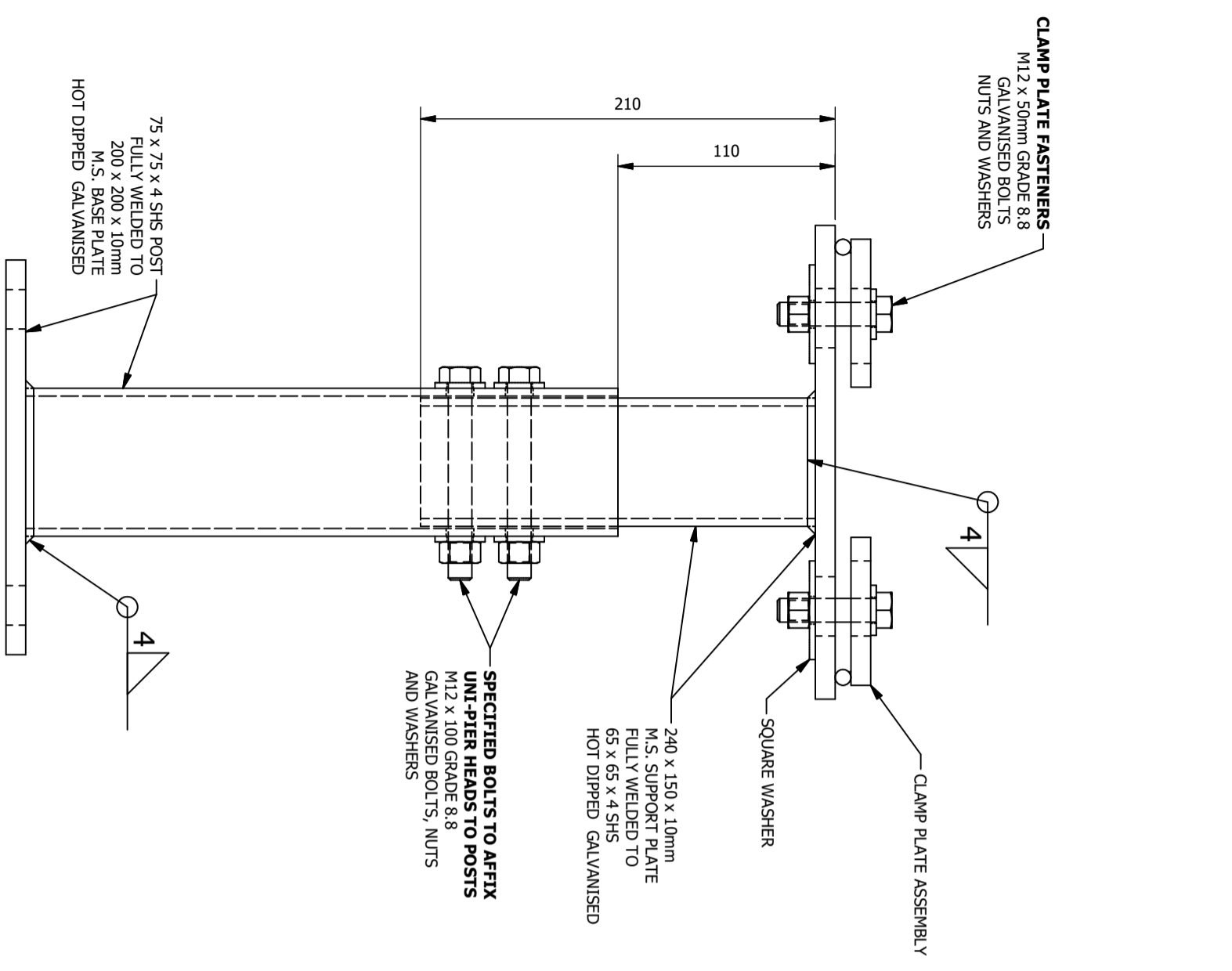
Telescopic Head - Bearer End Support
(Base Plate Bolted To Concrete)

3

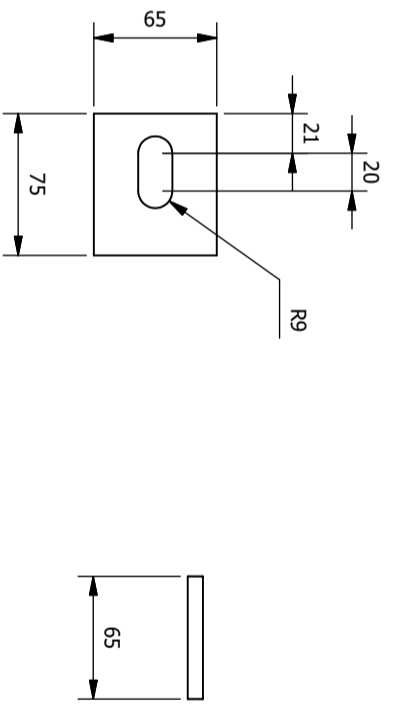
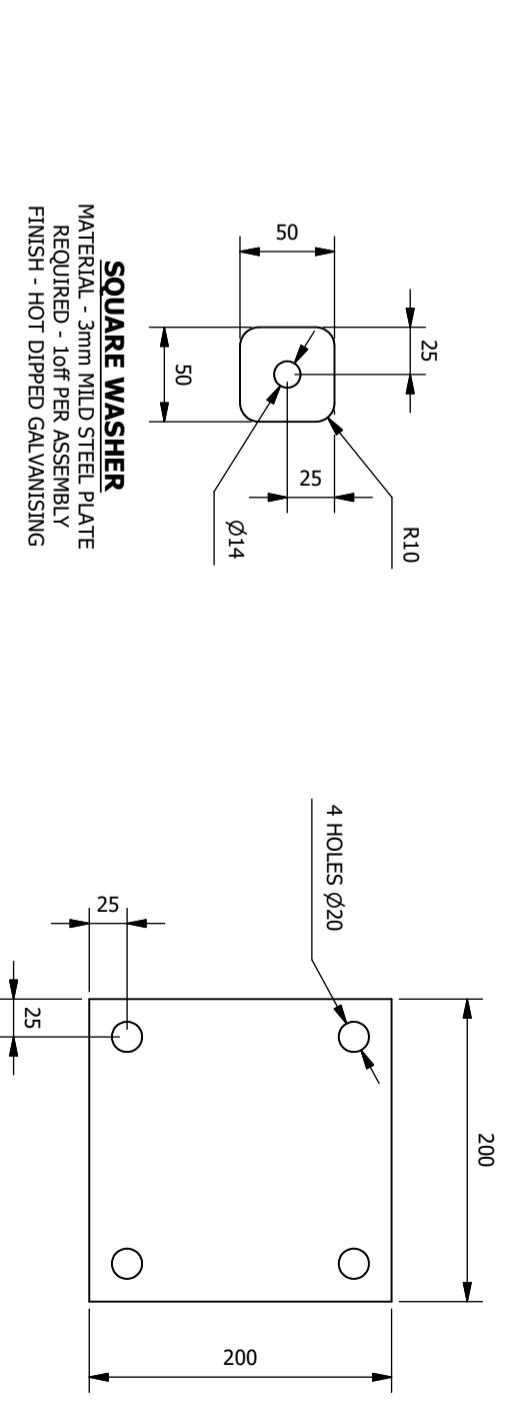
75x75x4mm SHS Post

Telescopic Head - Bearer Joint Support
(Base Plate Bolted To Concrete)

4



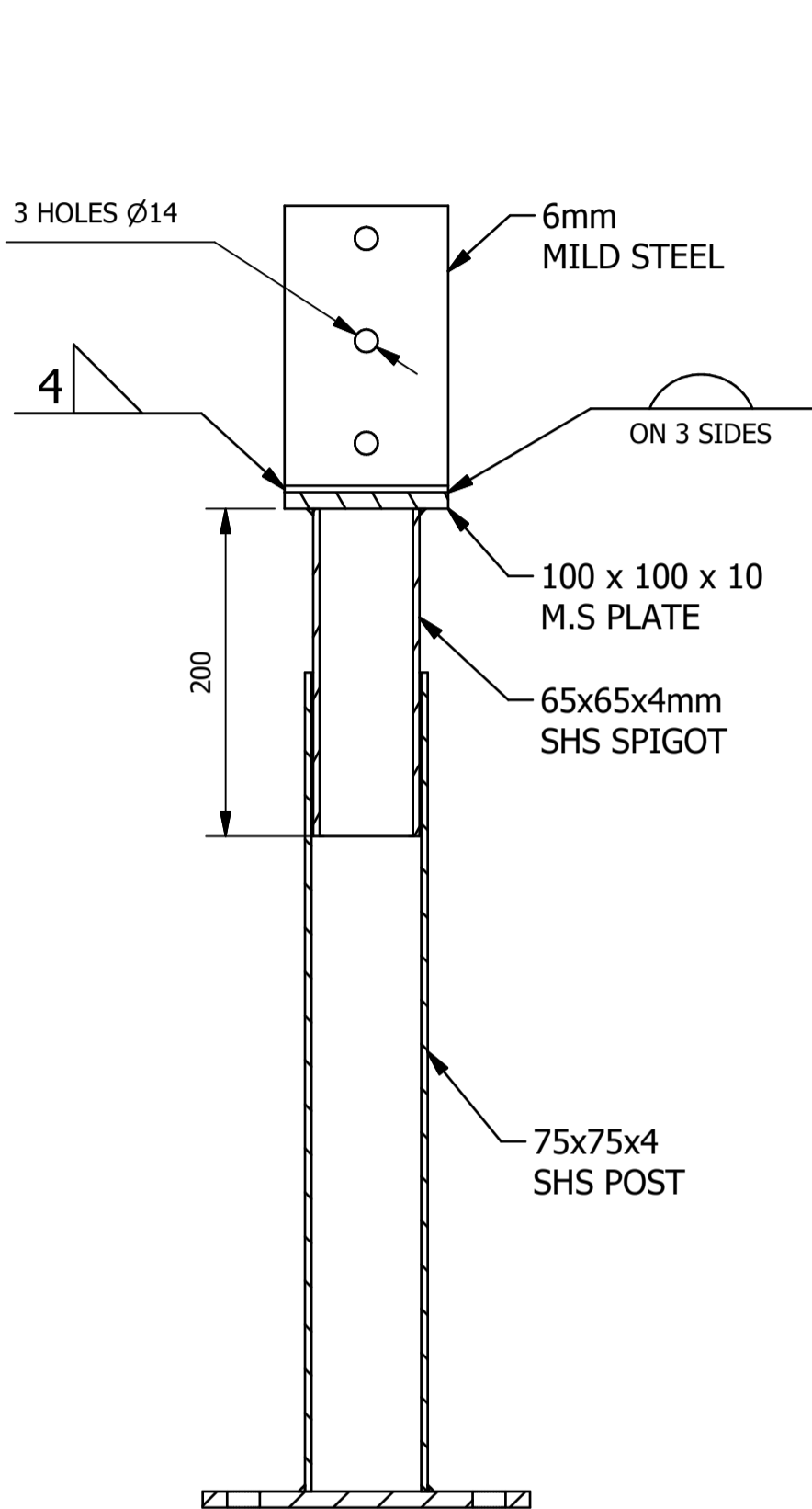
ELEVATION



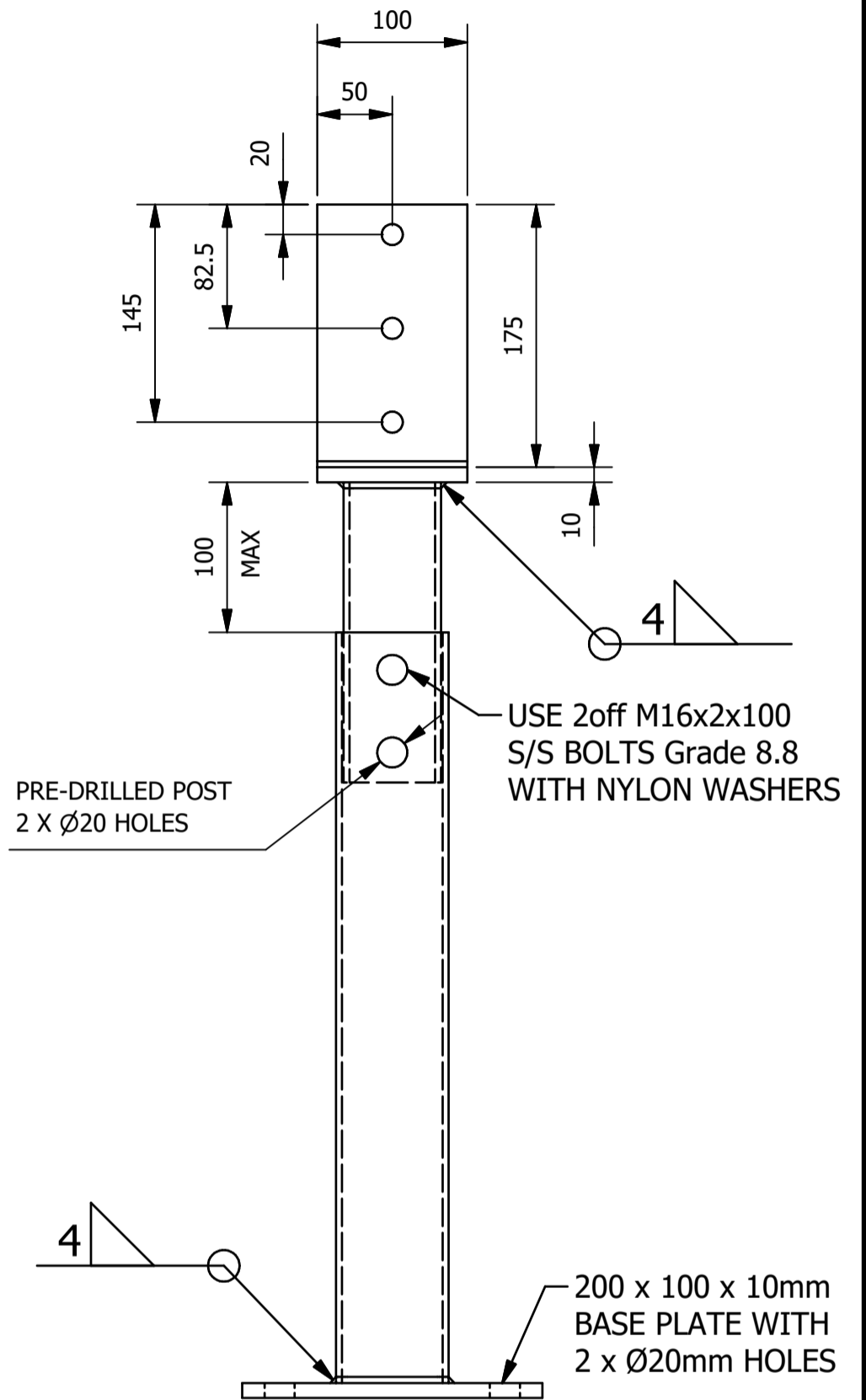
2	CHANGE INFORMATION IN DESCRIPTION	16/03/2021
1	INITIAL DIMENSIONS	25/10/2020
REV	DESCRIPTION	DATE
	REVISION HISTORY	

ALL DIMENSIONS IN MILLIMETERS		Description		Drawing No.		Sheet	
Material:	Scale:	EXTRA HEAVY GRADE 75x75x4 SHS POST I-BEAM SUPPORT SYSTEM		01		1 B	
Finish:	Eng. Appd.	TOLERANCE NOT SHOWN General = ±0.25 Hole = +0.1 / -0.0 Angular = ±0°30'		UNI Pier Australia Pty Ltd		Revision	
Drawn By: K. Robards	Checked By:						







SECTION VIEW



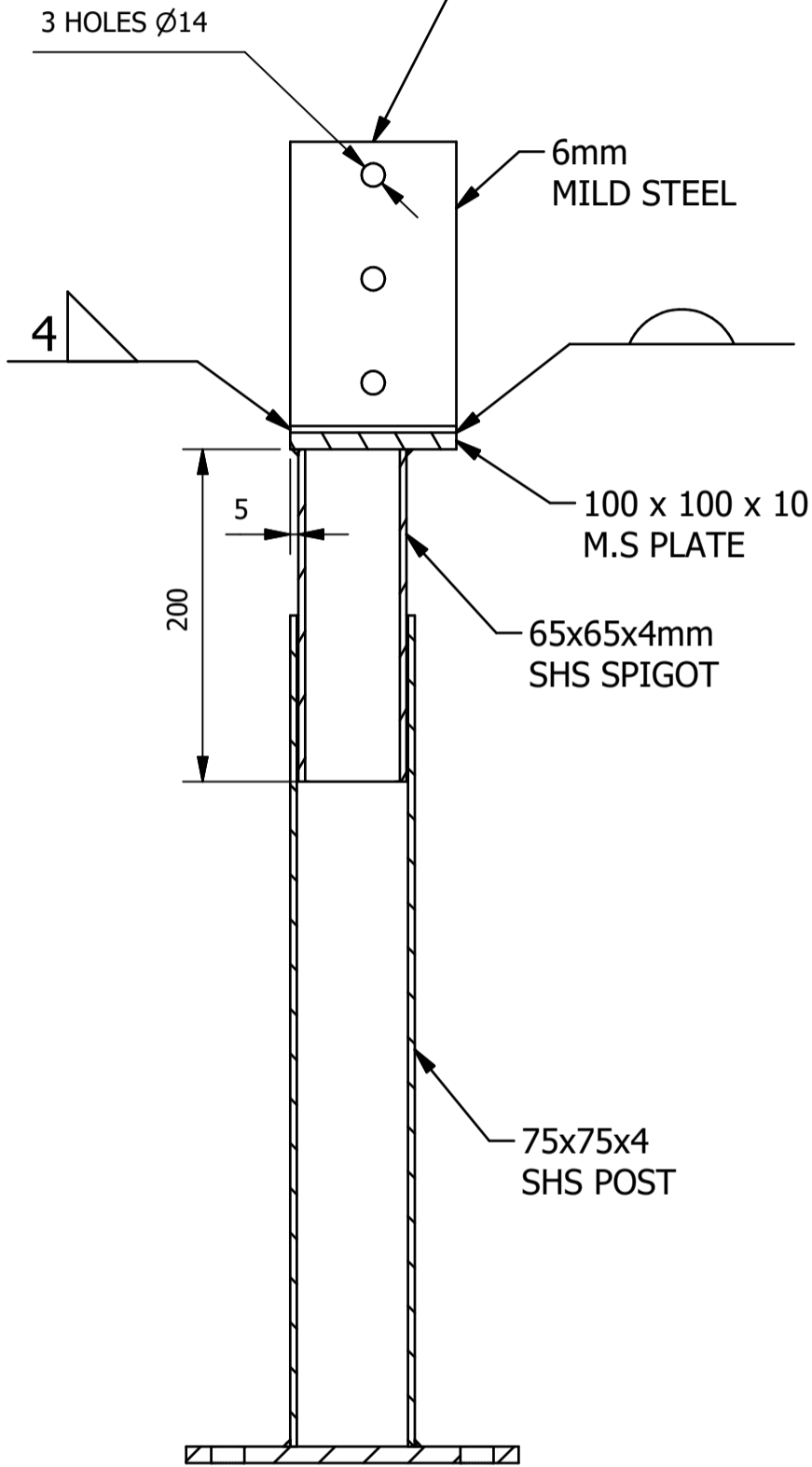
ELEVATION

OPTION: 200 x 200 x 10mm BASE PLATE WITH 4 x 20mm DIAMETER HOLES

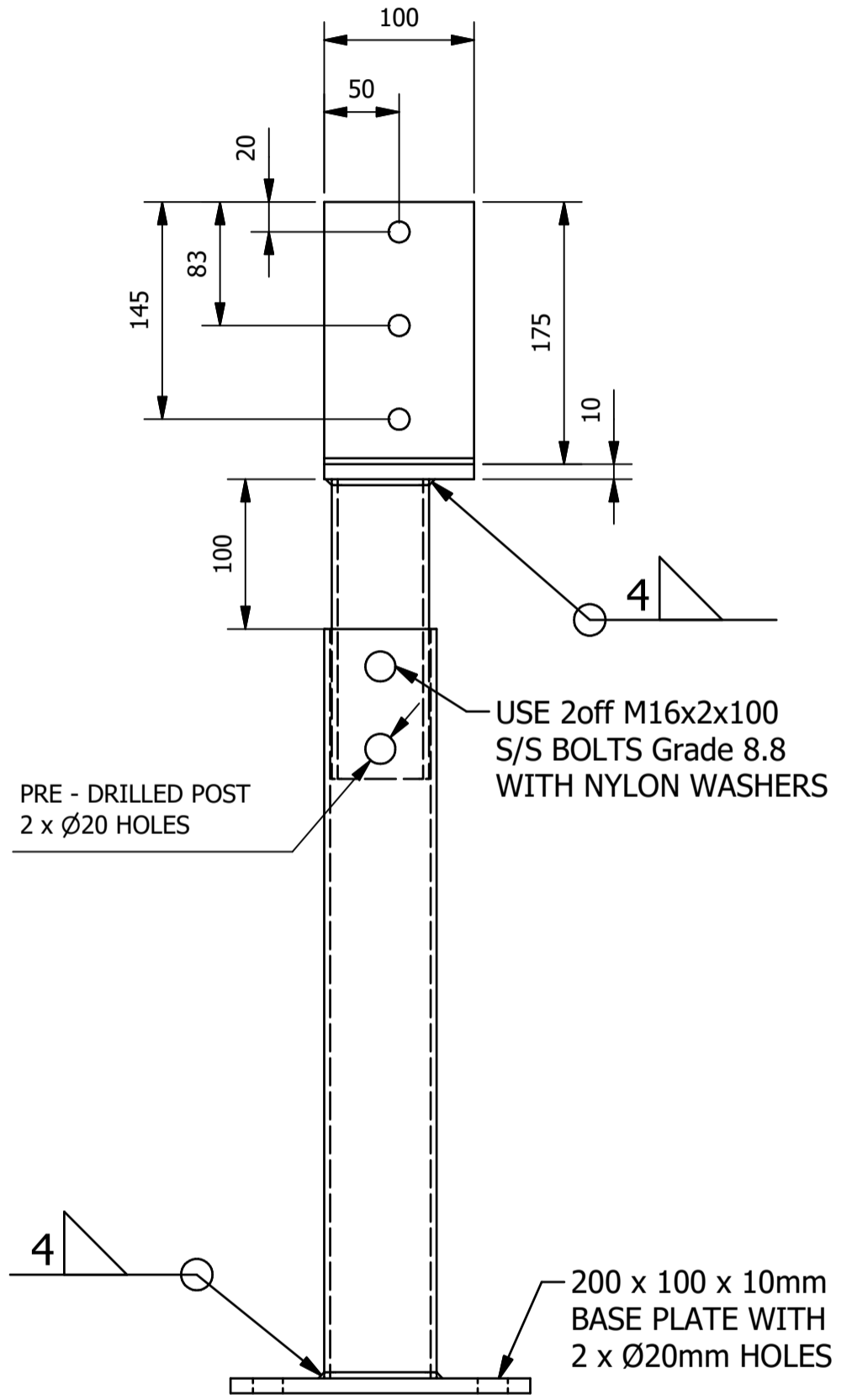
Note: Final approval of specifications by Structural Engineer

ALL DIMENSIONS IN MILLIMETERS		Description EXTRA HEAVY GRADE 75x75x4 SHS POST BEARER MIDDLE SUPPORT		Drawing No. 02		Sheet 1	Revision B
 Scale: Material: AS NOTED		Drawn By K Robards Checked By Eng. Appd.		UNI Pier Australia Pty Ltd ACN 131 900 546 PO BOX 6484 Silverwater NSW 1811 Phone: 1300 366 362 www.unipier.com.au			
Finish:		TOLERANCE NOT SHOWN General = ± 0.25 Hole = + 0.1 / -0.0 Angular = ± 0'30"		A4 <small>This drawing is the property of UNI Pier Australia Pty Limited and is protected by Copyright and not transferable. It is illegal to copy, communicate and/or disseminate this drawing to a third party without written permission from UNI Pier Australia Pty Limited and any infringement will be prosecuted under Australian & International Law.</small>			

NOTE:
OPPOSITE HAND
HEAD ASSEMBLY
ALSO AVAILABLE





SECTION VIEW

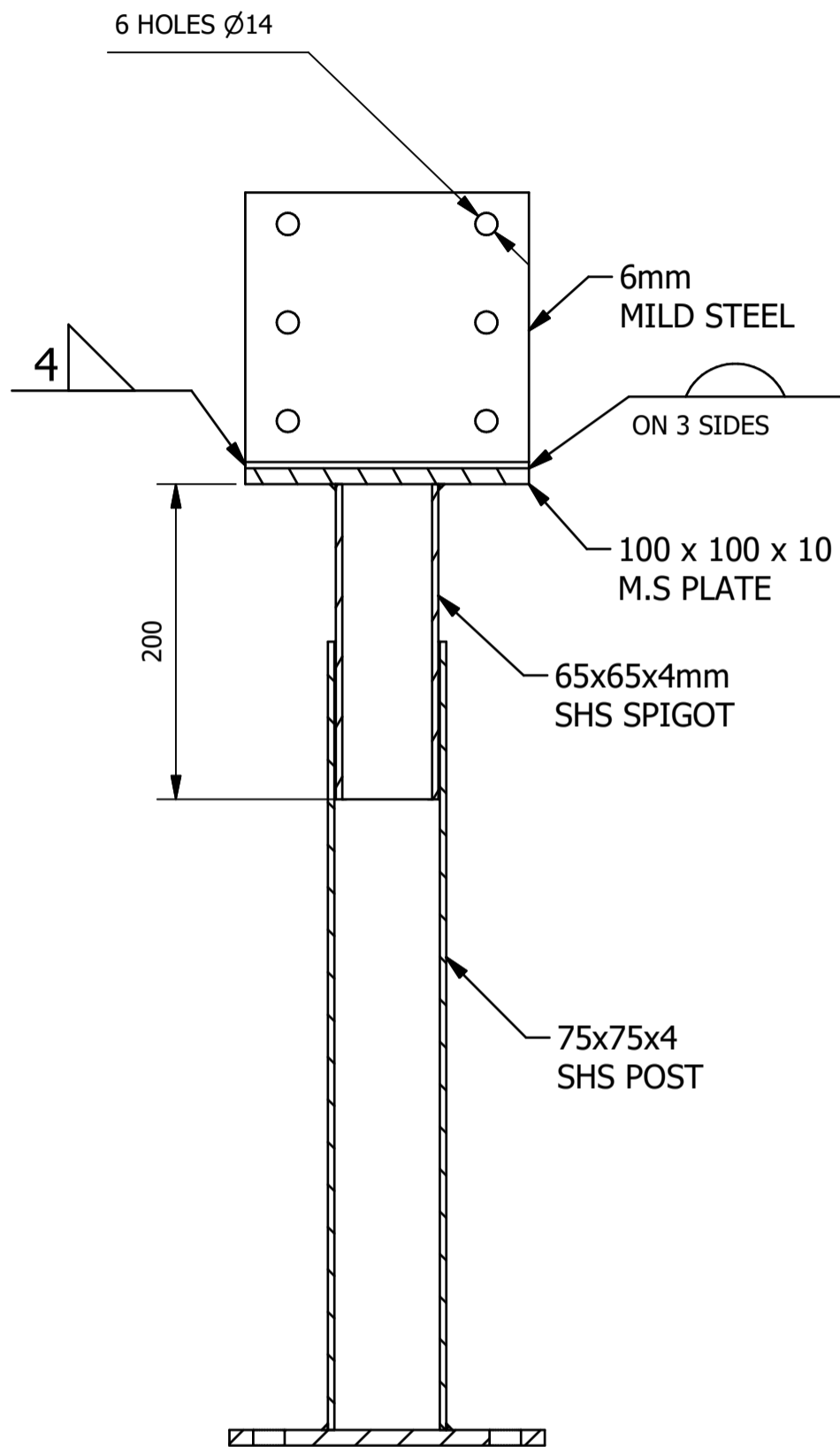


ELEVATION

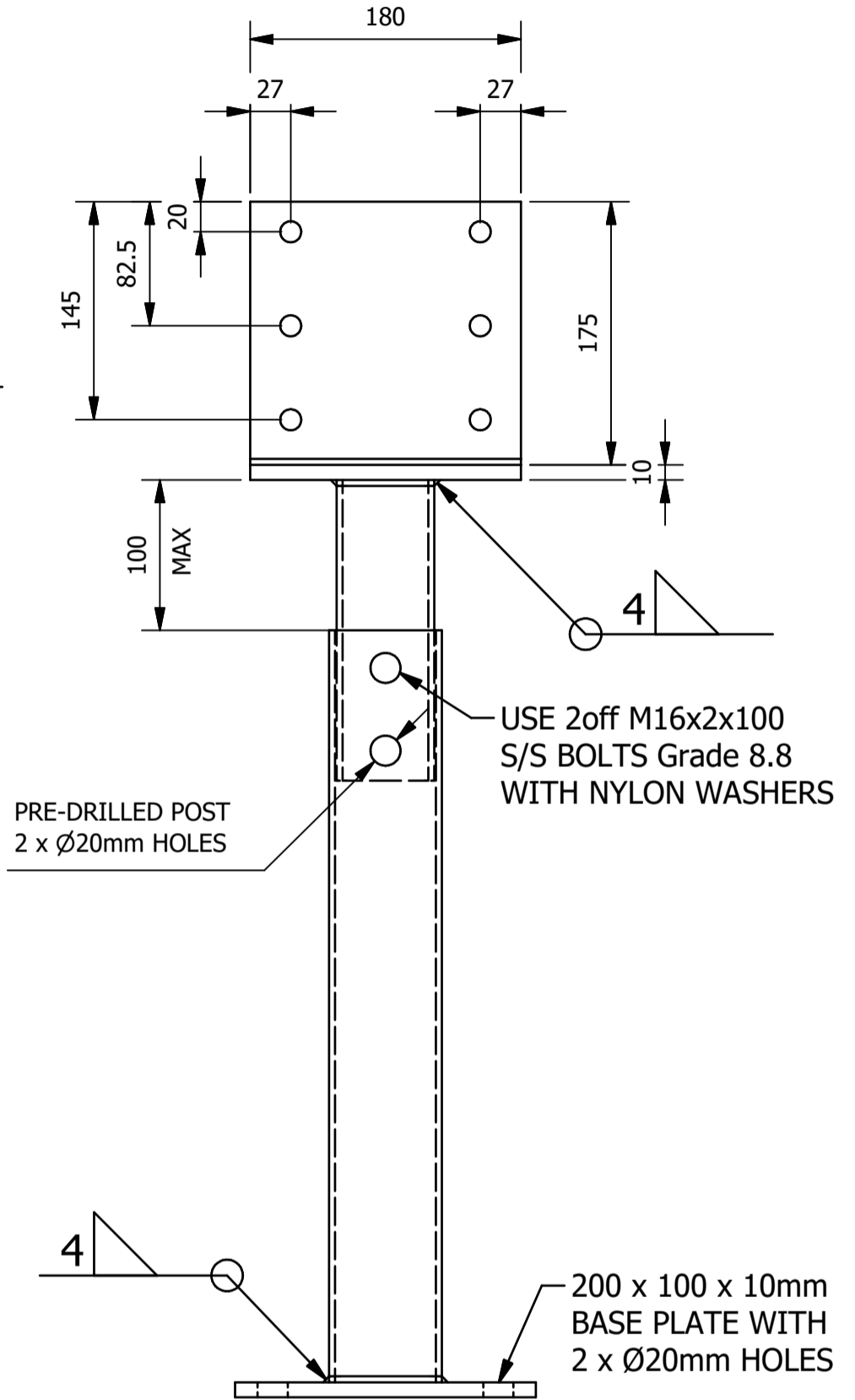
OPTION: 200 x 200 x 10mm BASE PLATE WITH 4 x 20mm DIAMETER HOLES

Note: Final approval of specifications by Structural Engineer

ALL DIMENSIONS IN MILLIMETERS		Description EXTRA HEAVY GRADE 75x75x4 SHS POST BEARER END SUPPORT		Drawing No. 03		Sheet 1	Revision A
 Scale: 1:6		Drawn By K Robards Checked By Eng. Appd.		UNI Pier Australia Pty Ltd ACN 131 900 546 PO BOX 6484 Silverwater NSW 1811 Phone: 1300 366 362 www.unipier.com.au			
Material: AS NOTED				TOLERANCE NOT SHOWN General = ± 0.25 Hole = + 0.1 / -0.0 Angular = ± 0'30"			
Finish:							





SECTION VIEW



ELEVATION

OPTION: 200 x 200 x 10mm BASE PLATE WITH 4 x 20mm DIAMETER HOLES

Note: Final approval of specifications by Structural Engineer

ALL DIMENSIONS IN MILLIMETERS		Description EXTRA HEAVY GRADE 75x75x4 SHS POST BEARER JOINT SUPPORT		Drawing No. 04		Sheet 1	Revision A		
 Scale: 1:6		Drawn By K Robards Checked By Eng. Appd.		UNI Pier Australia Pty Ltd ACN 131 900 546 PO BOX 6484 Silverwater NSW 1811 Phone: 1300 366 362 www.unipier.com.au					
Material: AS NOTED				TOLERANCE NOT SHOWN General = ± 0.25 Hole = + 0.1 / -0.0 Angular = ± 0'30"				A4 <small>This drawing is the property of UNI Pier Australia Pty Limited and is protected by Copyright and not transferable. It is illegal to copy, communicate and/or disseminate this drawing to a third party without written permission from UNI Pier Australia Pty Limited and any infringement will be prosecuted under Australian & International Law.</small>	
Finish:									