



KNEEBONE, BERETTA & HALL PTY LTD

CONSULTING STRUCTURAL & CIVIL ENGINEERS
ACN 002 419 767 ABN 36 822 442 203

4 Macquarie Avenue PENRITH NSW 2750

PHONE: (02) 4731 3833

E-MAIL: kbhallengineers@gmail.com

WEB SITE: www.kbqconsulting.com

Member of:



Ref 103252-C1
Date 9 July 2019

UNI-PIER AUSTRALIA PTY LTD STEEL UNI-POSTS *CALCULATION OF CAPACITY OF SCREW TOP Uni-Piers*

Calculations were based on 24mm diameter threaded rod with washers below the top nut over a 6mm thick cap plate over SHS 65 x65 x 2, SHS 75 x 75 x 2.5 or SHS 75 x 75 x 4 piers.

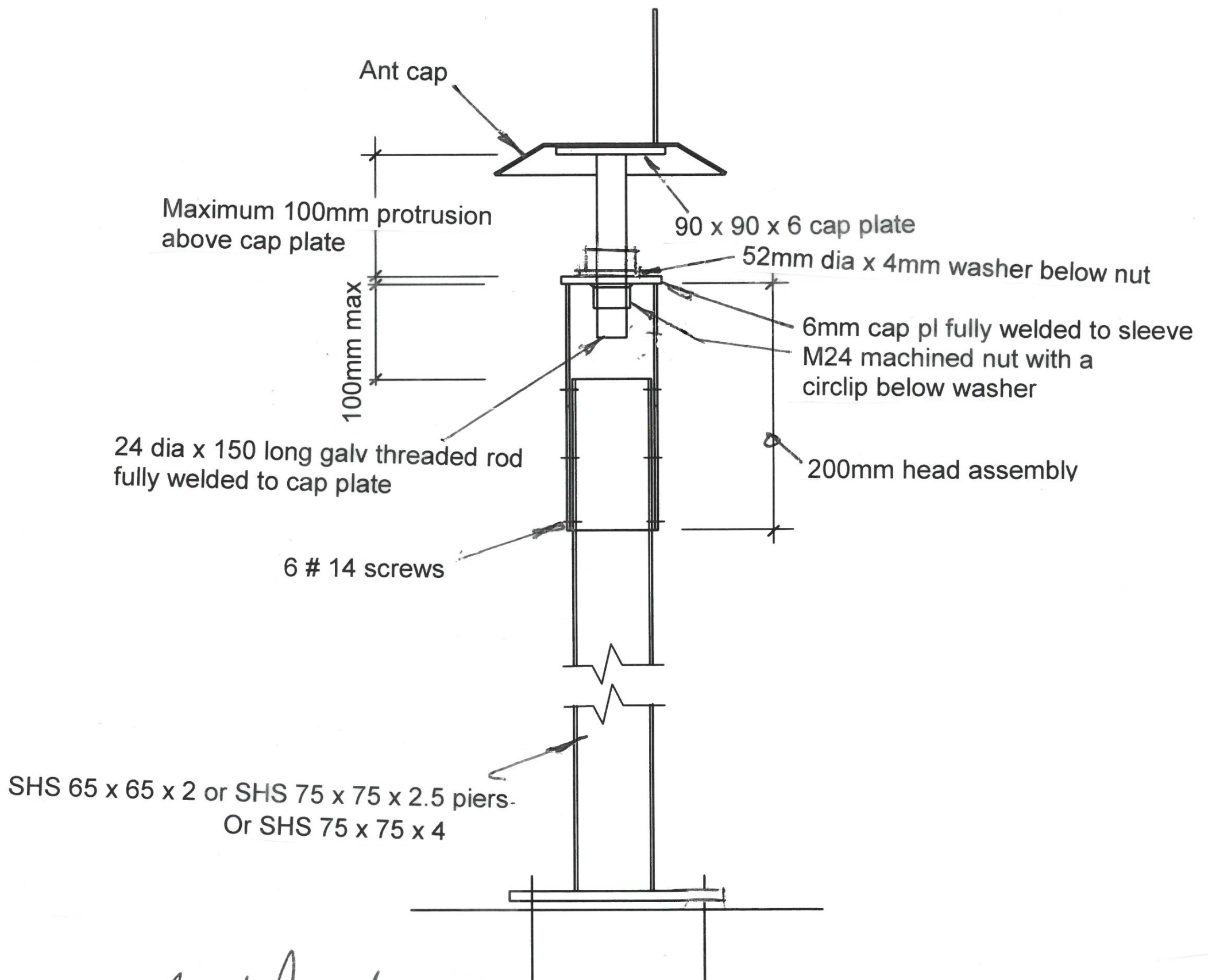
Our calculations for a 30 kN working load and M24 grade 4.4s bolts as detailed on our drawing Ref 103252 dated 9.7.19, the head is structurally adequate with a 52mm diameter x 4mm washer placed between the nut and the cap plate.

Trevor B Hall BSc(Eng) FIEAust CPEng NER RPEQ 5081
KNEEBONE, BERETTA & HALL PTY.LTD.
Consulting Engineers

Ref 103252
Date 9 July 2019

UNI-PIER AUSTRALIA PTY LTD
SCREW TOP Uni-Piers

This option for Uni-Piers to be read in conjunction with the Selection Guide published by Uni-Pier Australia Pty Ltd.



**Maximum load capacity of the head
for all post sizes = 30 kN**



Trevor B Hall BSc(Eng) FIEAust CPEng NER RPEQ 5081

KNEEBONE, BERETTA & HALL PTY LTD
Consulting Structural & Civil Engineers

**DESIGN SUITABLE FOR STEEL OR
TIMBER FRAMED DOMESTIC FLOORS**