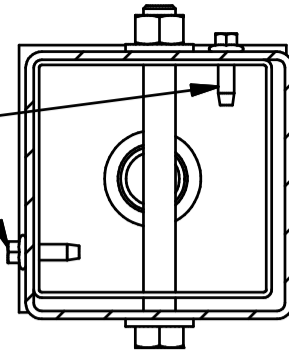
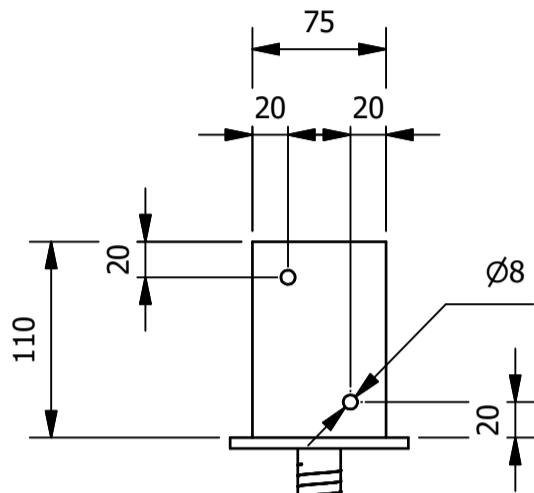


PLAN

AFFIX 2 x SCREWS IN ADJACENT FACES TO MAINTAIN POSITION OF HEAD



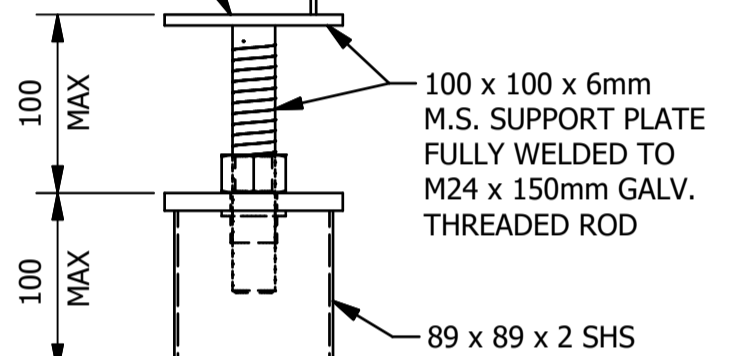
SECTION A-A



BEARER CONNECTION "FIN" PLATE 3mm THICK FULLY WELDED TO 100 x 100 x 6 mm M.S. INTEGRATED SUPPORT

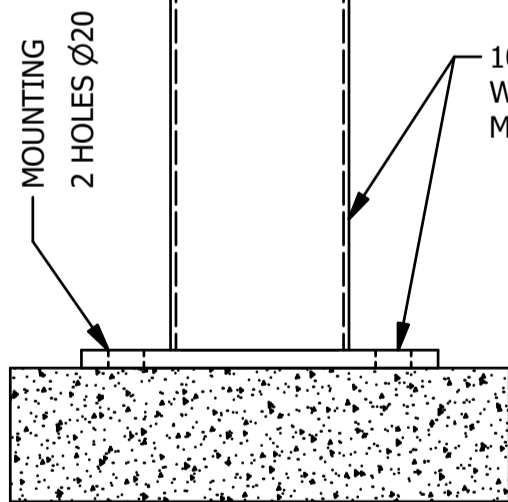
SPECIFIED SCREWS TO MAINTAIN HEAD POSITION
MINIMUM OF 2 PER SIDE
14-20 x 22 TO AS3566
CLASS #4 SELF-DRILLING
SELF TAPPING METAL TEKS®

SPECIFIED BOLT TO AFFIX UNI-PIER HEAD TO POST
M12 x 110 GRADE 8.8
GALVANISED BOLTS, NUTS
AND WASHERS



100 x 100 x 6mm M.S. SUPPORT PLATE FULLY WELDED TO M24 x 150mm GALV. THREADED ROD

89 x 89 x 2 SHS



ELEVATION 1

100 x 100 x 3 SHS POST WELDED TO 200 x 100 x 10 mm M.S. BASE

CONCRETE FOOTING TO ENGINEERS SPECIFICATION

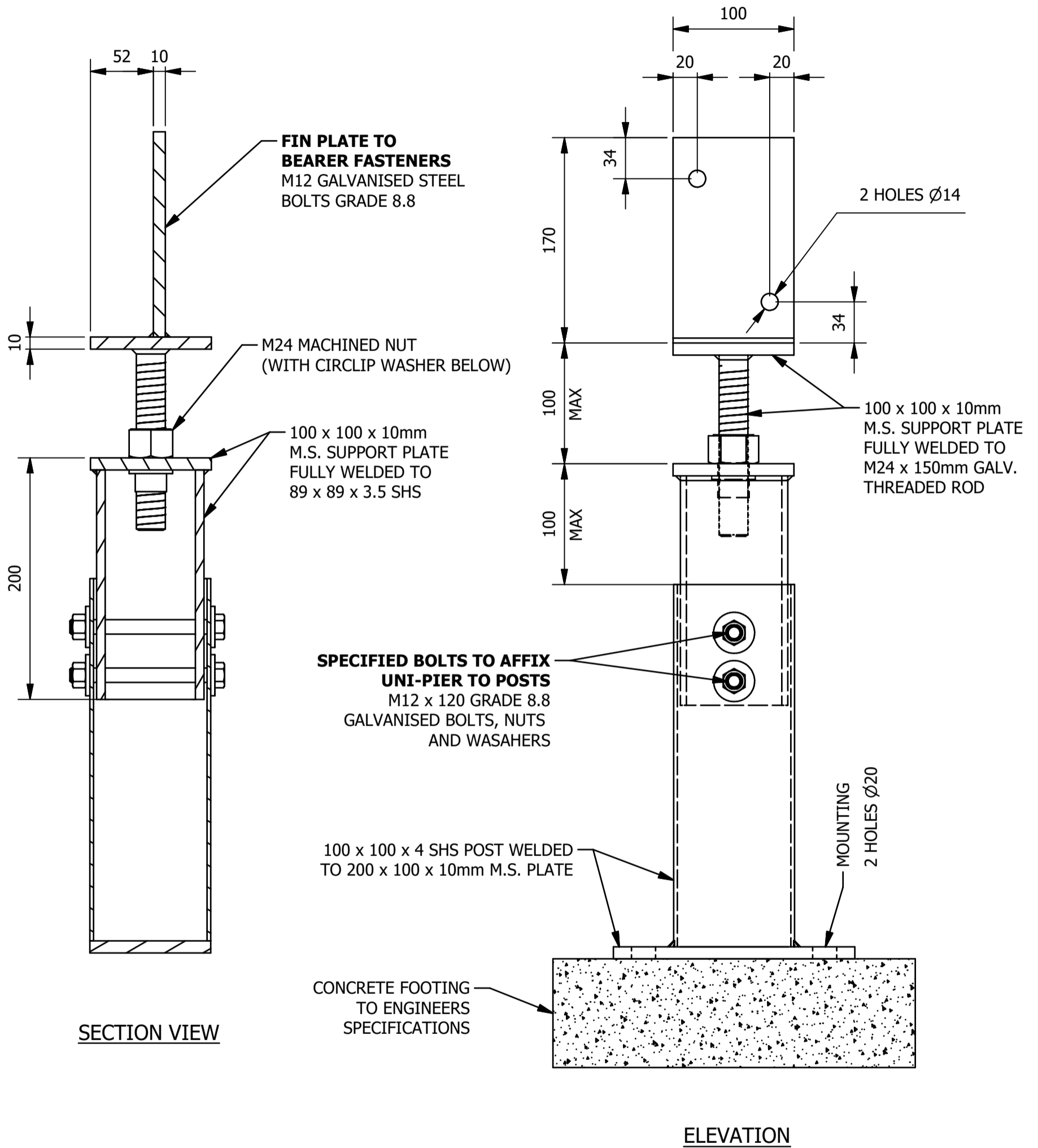


ELEVATION 2

OPTION: 200 x 200 x 10mm BASE PLATE WITH 4 x 20mm DIAMETER HOLES

NOTE: Final approval of specifications by Structural Engineer

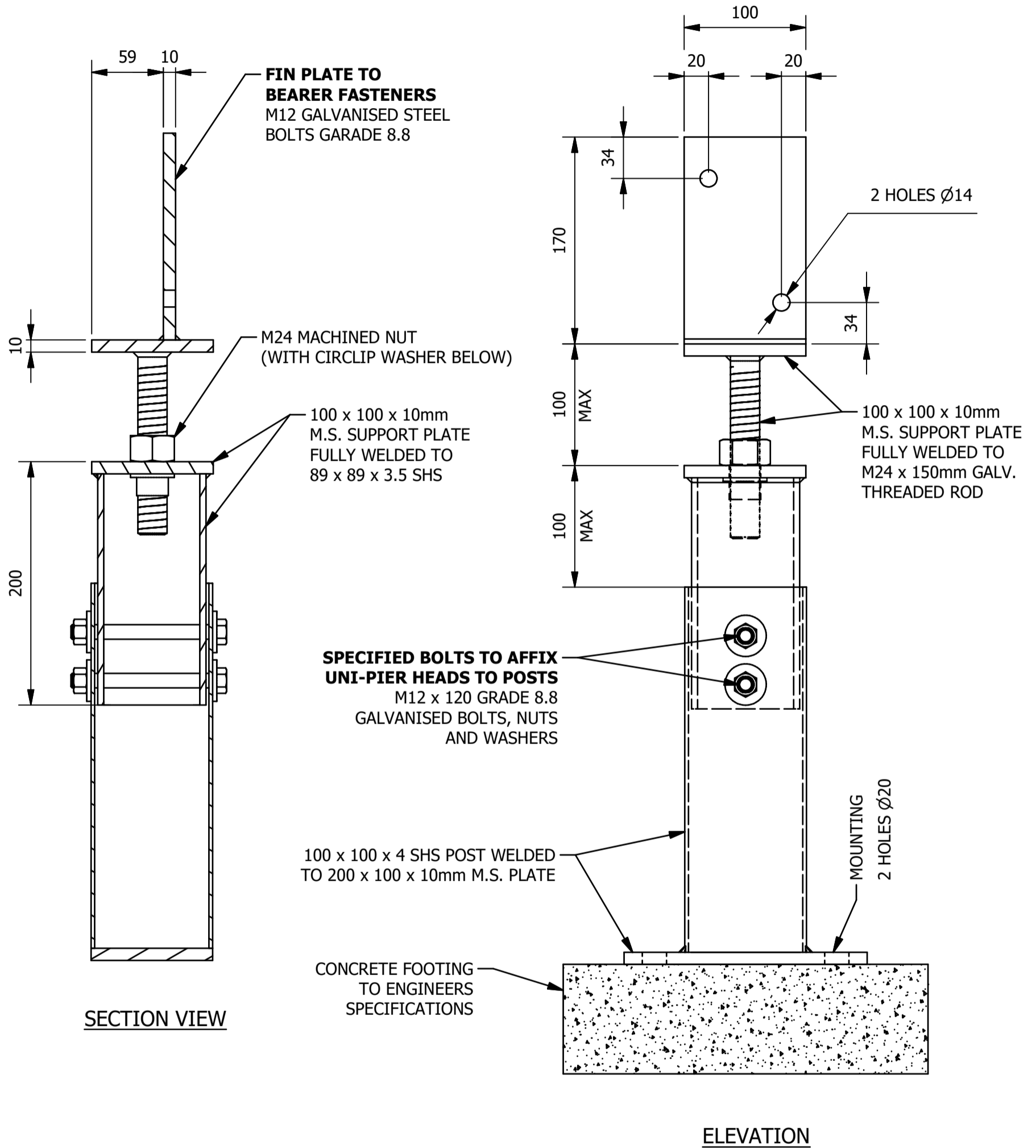
ALL DIMENSIONS IN MILLIMETERS		Description		Drawing No.		Sheet	Revision
Scale: Not to Scale		SUPER MEGA GRADE LIGHT 100x100x3 POST SCREW TOP HEAD 200x100 BASE PLATE WITH 2 x 20mm DIAMETER MOUNTING HOLES		02		1	B
Material: As Noted		Drawn By K Robards Checked By Eng. Appd.		UNI Pier Australia Pty Ltd ACN 131 900 546 PO BOX 6484 Silverwater NSW 1811 Phone: 1300 366 362 www.unipier.com.au			
Finish: HOT DIPPED GALVANISED		TOLERANCE NOT SHOWN General = ± 0.25 Hole = + 0.1 / -0.0 Angular = ± 0'30"		A4			



OPTION: 200 x 200 x 10mm BASE PLATE WITH 4 x 20mm DIAMETER HOLES

Note: Final approval of specifications by Structural Engineer

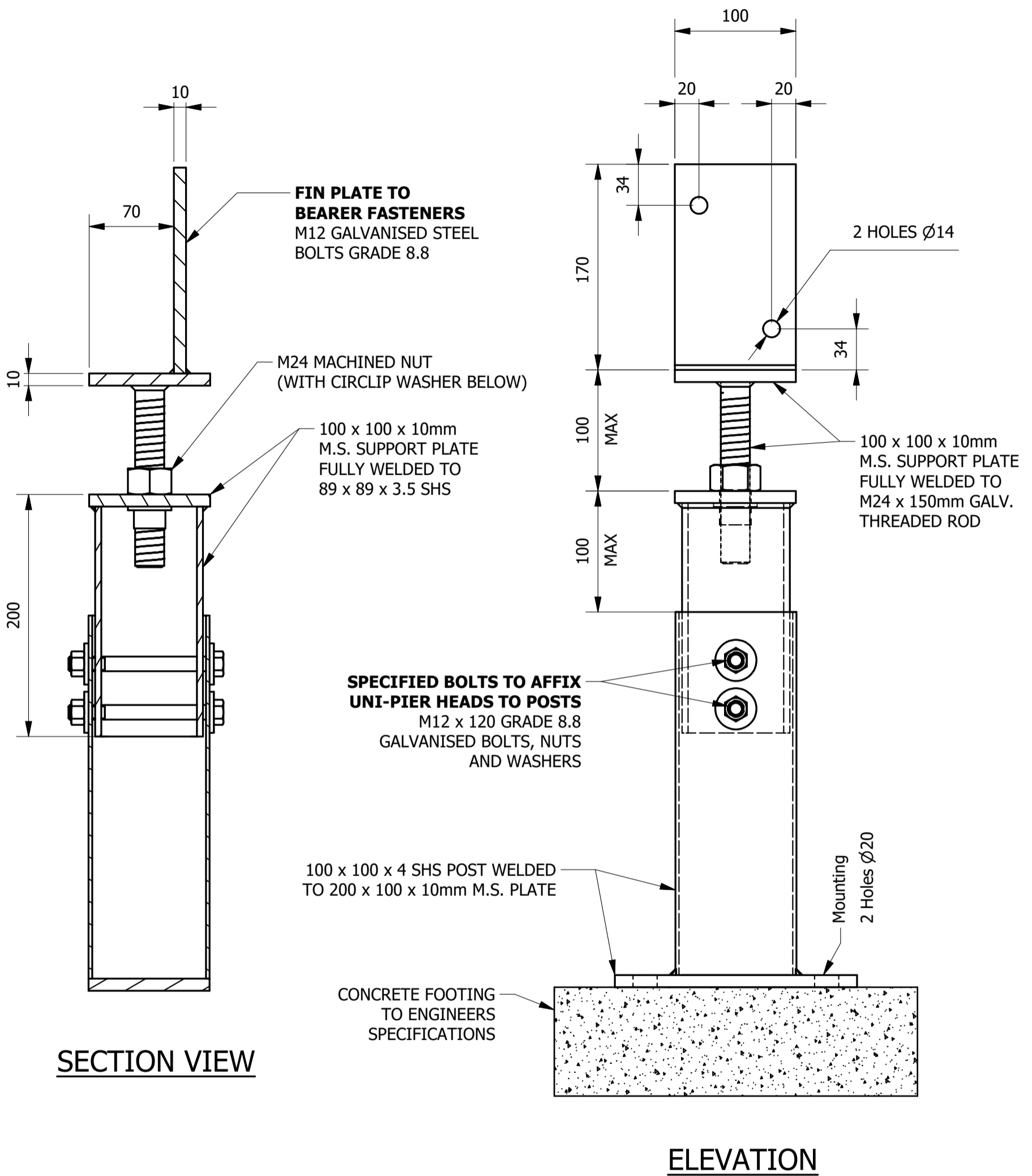
ALL DIMENSIONS IN MILLIMETERS		Description		Drawing No.		Sheet	Revision
Scale: 1:5		SUPER MEGA GRADE 100x100x4 POST		03		1	B
Material: AS NOTED		SCREW TOP HEAD		UNI Pier Australia Pty Ltd			
Finish: HOT DIPPED GALVANISED		200x100 BASE PLATE WITH 2 x 20mm DIAMETER MOUNTING HOLES		ACN 131 900 546 PO BOX 6484 Silverwater NSW 1811 Phone: 1300 366 362 www.unipier.com.au			
TOLERANCE NOT SHOWN		Drawn By K Robards Checked By Eng. Appd.		A4 This drawing is the property of UNI Pier Australia Pty Limited and is protected by Copyright and not transferable. It is illegal to copy, communicate and/or disseminate this drawing to a third party without written permission from UNI Pier Australia Pty Limited and any infringement will be prosecuted under Australian & International Law.			



OPTION: 200 X 200 x 10mm BASE PLATE WITH 4 X 20mm DIAMETER HOLES

Note: Final approval of specifications by Structural Engineer

ALL DIMENSIONS IN MILLIMETERS		Description		Drawing No.		Sheet	Revision
Scale: 1:5		SUPER MEGA GRADE 100x100x4 POST		04		1	B
Material: AS NOTED		SCREW TOP HEAD		UNI Pier Australia Pty Ltd			
Finish: HOT DIPPED GALVANISED		200x100 BASE PLATE WITH 2 X 20mm DIAMETER MOUNTING HOLES		ACN 131 900 546 PO BOX 6484 Silverwater NSW 1811 Phone: 1300 366 362 www.unipier.com.au			
TOLERANCE NOT SHOWN		Drawn By K Robards Checked By Eng. Appd.		General = ± 0.25 Hole = + 0.1 / -0.0 Angular = ± 0'30"			



OPTION: 200 x 200 x 10mm BASE PLATE WITH 4 x 20mm DIAMETER HOLES

Note: Final approval of specifications by Structural Engineer

ALL DIMENSIONS IN MILLIMETERS		Description		Drawing No.		Sheet	Revision
Scale: 1:5		SUPER MEGA GRADE 100x100x4 POST		05		1	B
Material: AS NOTED		SCREW TOP HEAD		UNI Pier Australia Pty Ltd			
Finish: HOT DIP GALVANISED		200x100 BASE PLATE WITH 2 x 20mm DIAMETER MOUNTING HOLES		ACN 131 900 546 PO BOX 6484 Silverwater NSW 1811 Phone: 1300 366 362 www.unipier.com.au			
		TOLERANCE NOT SHOWN		A4			
		Drawn By	K Robards	13/05/2020	<small>This drawing is the property of UNI Pier Australia Pty Limited and is protected by Copyright and not transferable. It is illegal to copy, communicate and/or disseminate this drawing to a third party without written permission from UNI Pier Australia Pty Limited and any infringement will be prosecuted under Australian & International Law.</small>		
		Checked By					
		Eng. Appd.					
		General = ± 0.25					
		Hole = + 0.1 / -0.0					
		Angular = ± 0'30"					