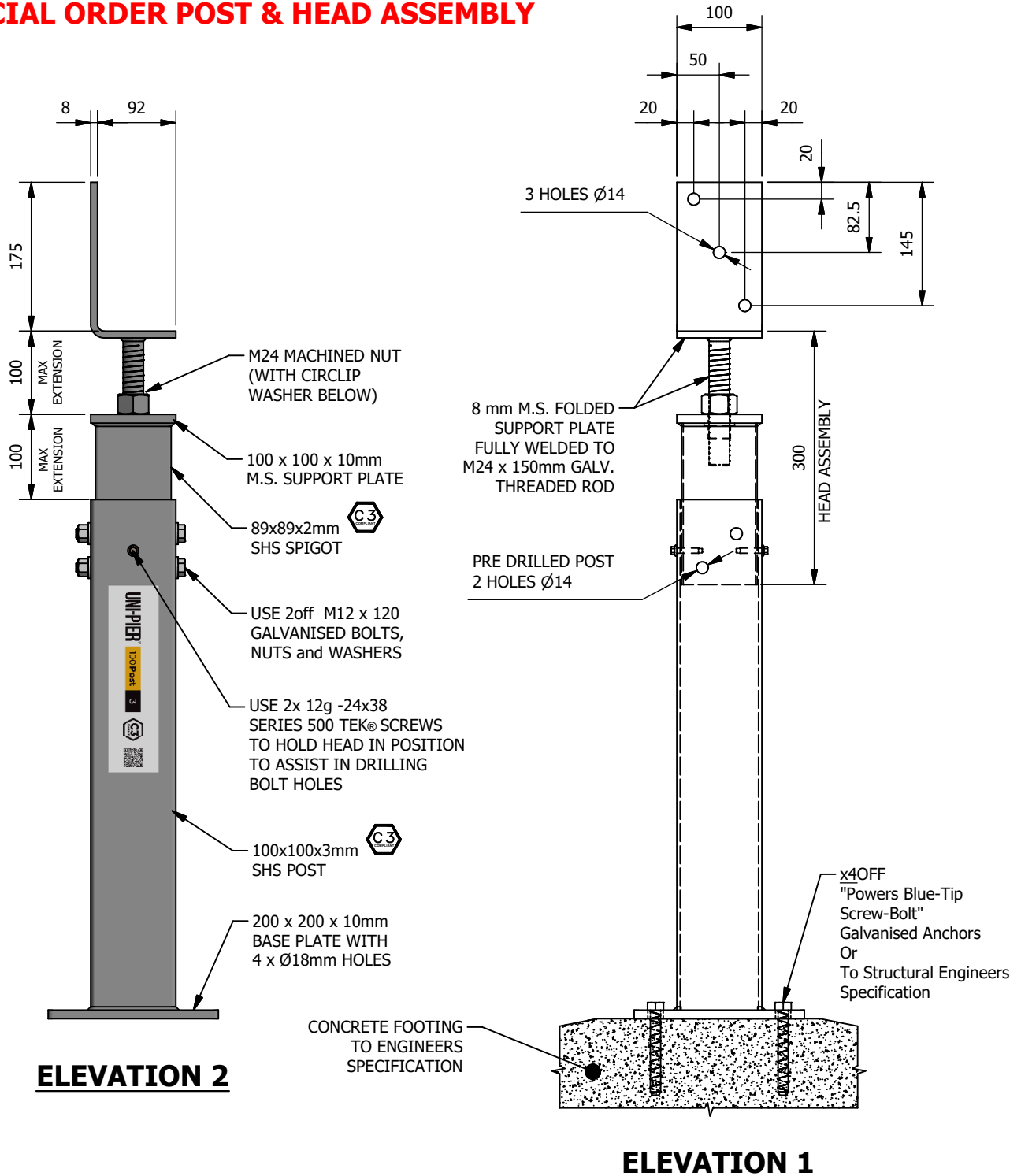




## SCREW TOP HEAD (STH) ASSEMBLY

### SPECIAL ORDER POST & HEAD ASSEMBLY



**Option:** 200 x 100 x 10mm Base Plate with 2 x Ø18mm holes

**Note:** Final approval of specifications by Structural Engineer  
 FOR ALL UNI-PIER SPECIFICATIONS <https://www.unipier.com.au/>

Drawing No.

Uni Pier 2023-012.5.5

Finish:  
 BATCH HOT DIPPED GALVANISED

SHEET SIZE  
**A4**

UNI Pier Australia Pty Ltd  
 ACN 131 900 546  
 PO BOX 6484 Silverwater NSW 1811  
 Phone: 1300 366 362  
[www.unipier.com.au](http://www.unipier.com.au)

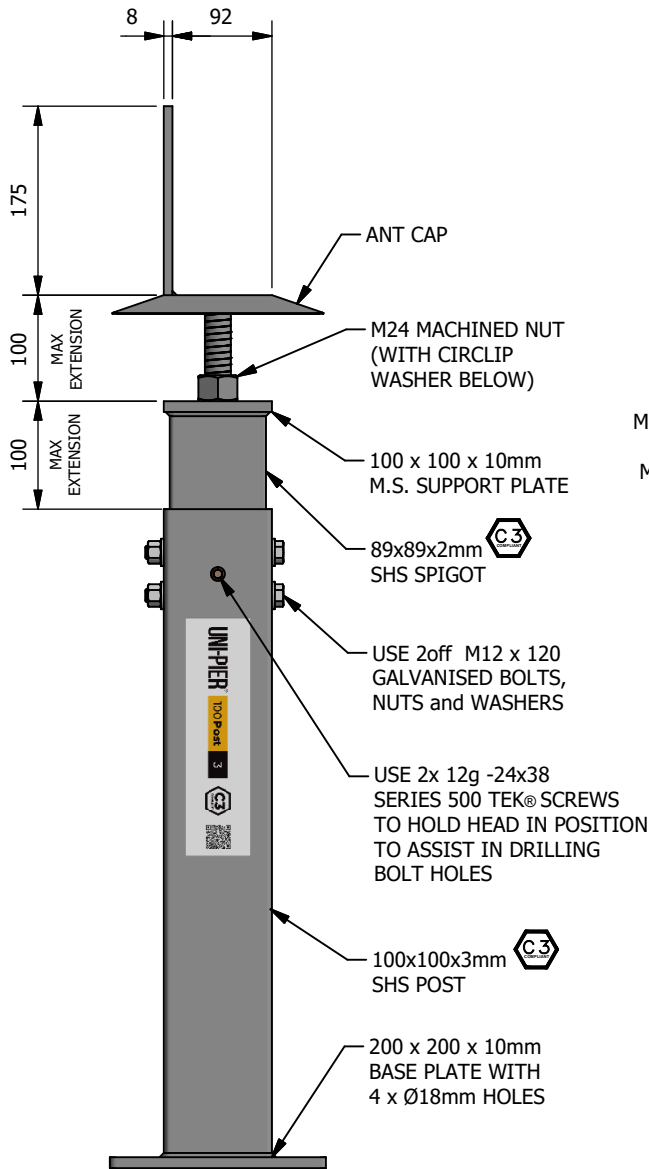
This drawing is the property of Uni Pier Australia Pty Limited and is protected by Copyright and not transferable. It is illegal to copy, communicate and/or disseminate this drawing to a third party without written permission from UNI Pier Australia Pty Limited and any infringement will be prosecuted under Australian & International Law.

**UNI-PIER®**

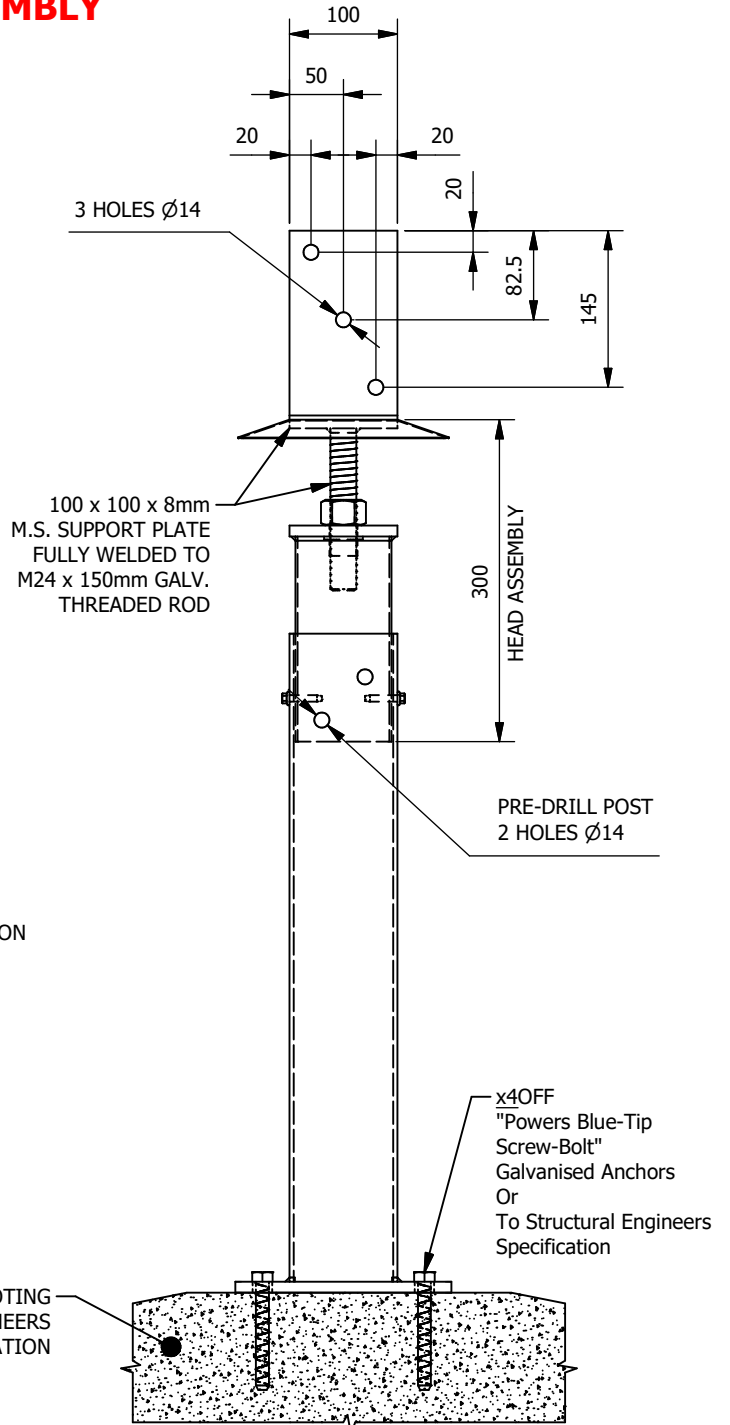


## SCREW TOP HEAD (STH) ASSEMBLY

### SPECIAL ORDER POST & HEAD ASSEMBLY



**ELEVATION 2**



**ELEVATION 1**

**Option:** 200 x 100 x 10mm Base Plate with 2 x Ø18mm holes

**Note:** Final approval of specifications by Structural Engineer  
FOR ALL UNI-PIER SPECIFICATIONS <https://www.unipier.com.au/>

Drawing No.

Uni Pier 2023-012.7.5

Finish:  
BATCH HOT DIPPED GALVANISED

SHEET SIZE  
**A4**

UNI Pier Australia Pty Ltd  
ACN 131 900 546  
PO BOX 6484 Silverwater NSW 1811  
Phone: 1300 366 362  
[www.unipier.com.au](http://www.unipier.com.au)

This drawing is the property of Uni Pier Australia Pty Limited and is protected by Copyright and not transferable. It is illegal to copy, communicate and/or disseminate this drawing to a third party without written permission from Uni Pier Australia Pty Limited and any infringement will be prosecuted under Australian & International Law.

**UNI-PIER®**