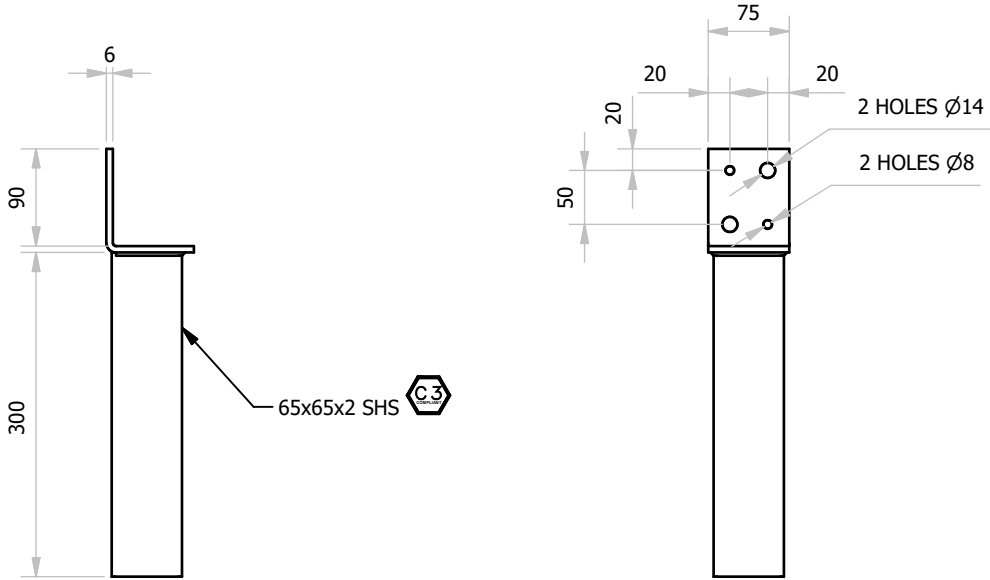




TYPE I
TELESCOPIC HEAD / VERTICAL FLANGE OPTION

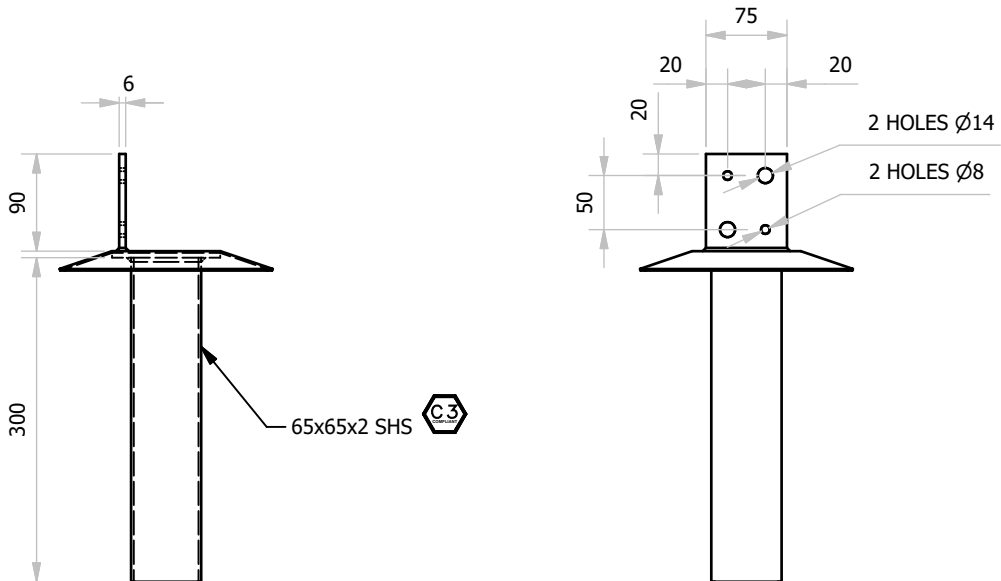
TELESCOPIC HEAD NO ANT CAP

HEAD VERTICAL FLANGE 90 X 75 X 6mm
 TO SUIT 75 x 2.5mm POST



TELESCOPIC HEAD WITH ANT CAP

HEAD VERTICAL FLANGE 90 X 75 X 6mm
 TO SUIT 75 x 2.5mm POST



Drawing No.

Uni Pier 2025.002.1.2

Finish:
BATCH HOT DIPPED GALVANISED

SHEET SIZE
A4

UNI-PIER Australia Pty Ltd
 ACN 131 900 546
 PO BOX 5258 KAHIBAH, NSW 2283
 172 Casino Street, SOUTH LISMORE, NSW 2480
 Phone: 1300 366 362
 www.unipier.com.au

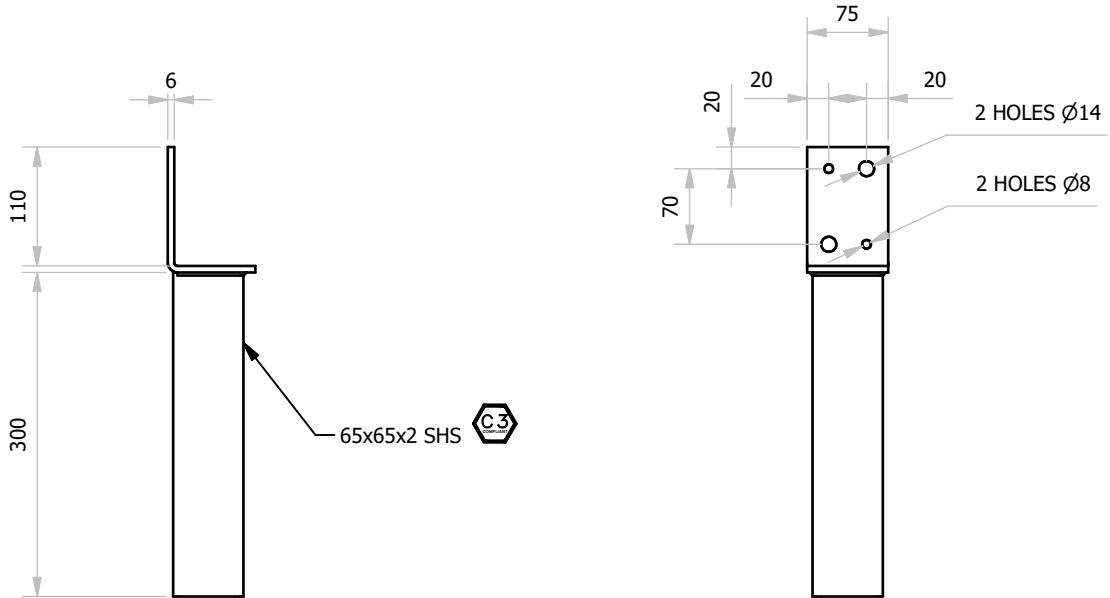
This drawing is the property of Uni Pier Australia Pty Limited and is protected by Copyright and not transferable. It is illegal to copy, communicate and/or disseminate this drawing to a third party without written permission from Uni Pier Australia Pty Limited and any infringement will be prosecuted under Australian & International Law.



TYPE II
TELESCOPIC HEAD / VERTICAL FLANGE OPTION

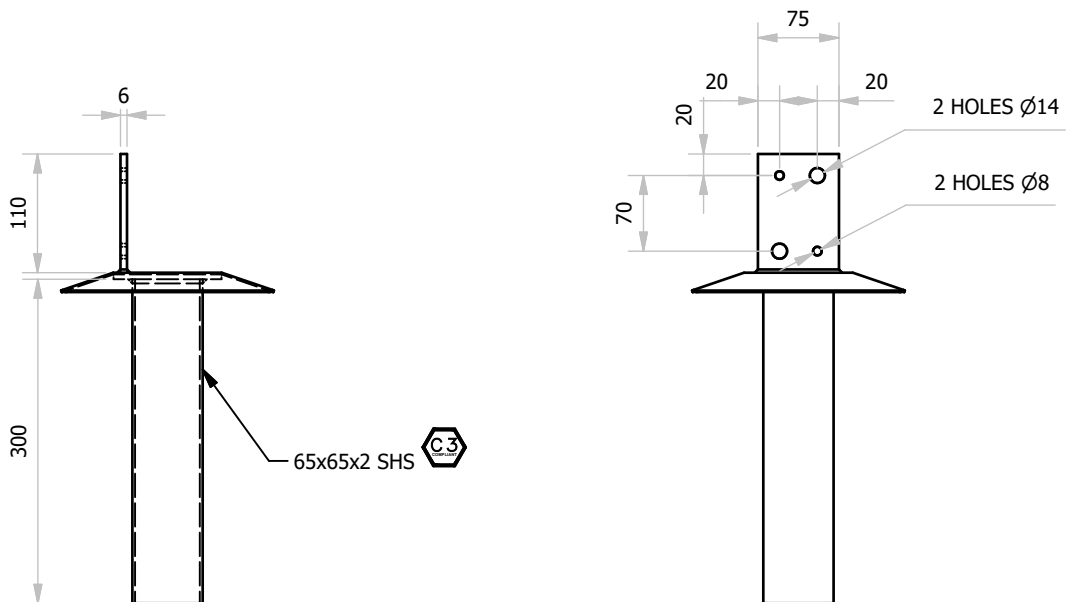
TELESCOPIC HEAD NO ANT CAP

HEAD VERTICAL FLANGE 110 X 75 X 6mm
 TO SUIT 75 x 2.5mm POST



TELESCOPIC HEAD WITH ANT CAP

HEAD VERTICAL FLANGE 110 X 75 X 6mm
 TO SUIT 75 x 2.5mm POST



Drawing No.

Uni Pier 2025.002.2.2

Finish:
BATCH HOT DIPPED GALVANISED

SHEET SIZE
A4

UNI-PIER Australia Pty Ltd
 ACN 131 900 546
 PO BOX 5258 KAHIBAH, NSW 2283
 172 Casino Street, SOUTH LISMORE, NSW 2480
 Phone: 1300 366 362
 www.unipier.com.au

This drawing is the property of Uni Pier Australia Pty Limited and is protected by Copyright and not transferable. It is illegal to copy, communicate and/or disseminate this drawing to a third party without written permission from Uni Pier Australia Pty Limited and any infringement will be prosecuted under Australian & International Law.

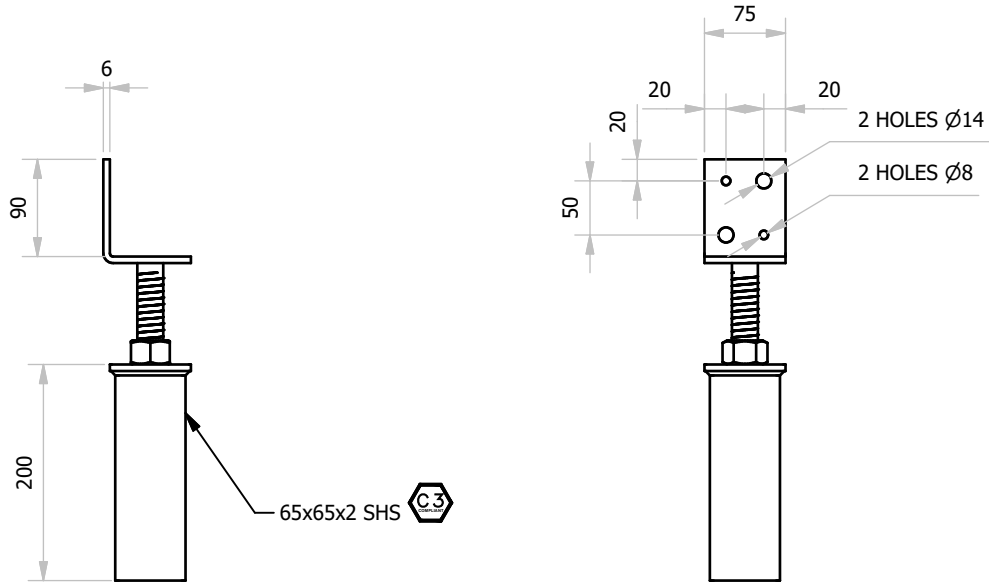


TYPE I

SCREW TOP HEAD / VERTICAL FLANGE OPTION

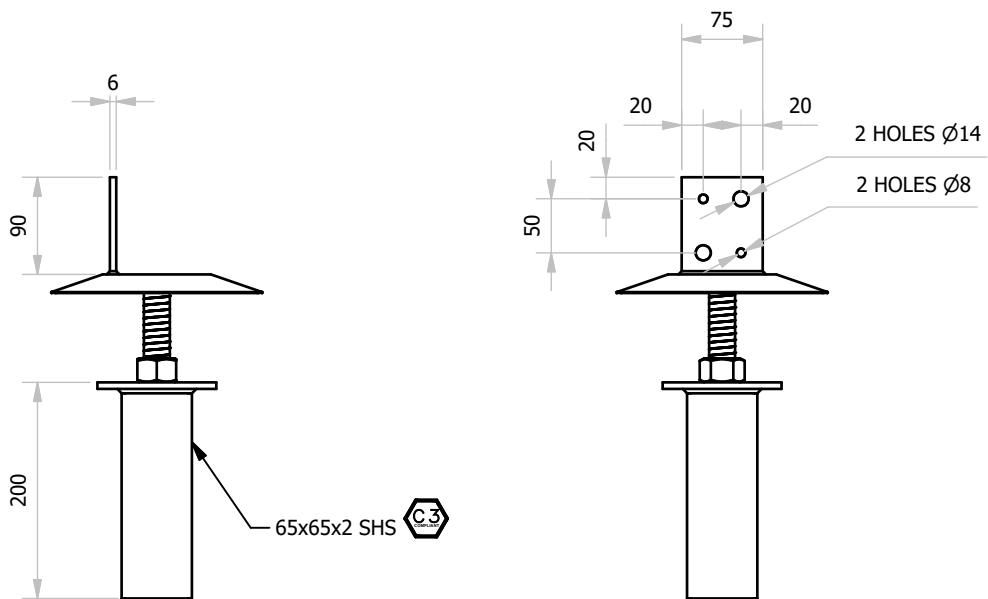
SCREW TOP HEAD NO ANT CAP

HEAD VERTICAL FLANGE 90 X 75 X 6mm
TO SUIT 75 x 2.5mm POST



SCREW TOP HEAD WITH ANT CAP

HEAD VERTICAL FLANGE 90 X 75 X 6mm
TO SUIT 75 x 2.5mm POST



Drawing No.

Uni Pier 2025.002.3.2

Finish:
BATCH HOT DIPPED GALVANISED

SHEET SIZE
A4

UNI-PIER Australia Pty Ltd
ACN 131 900 546
PO BOX 5258 KAHIBAH, NSW 2283
172 Casino Street, SOUTH LISMORE, NSW 2480
Phone: 1300 366 362
www.unipier.com.au

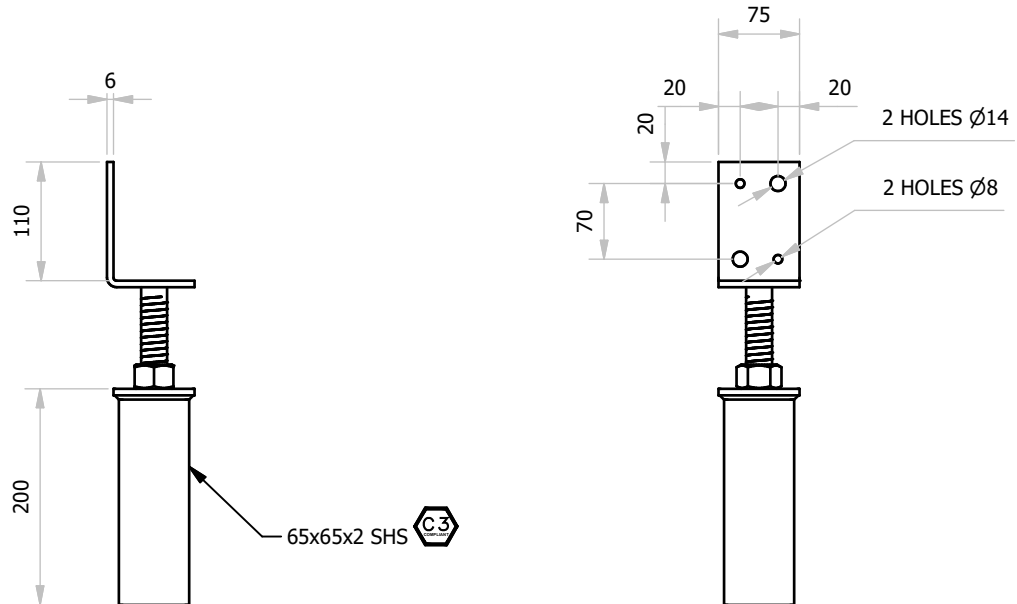
This drawing is the property of Uni Pier Australia Pty Limited and is protected by Copyright and not transferable. It is illegal to copy, communicate and/or disseminate this drawing to a third party without written permission from UNI Pier Australia Pty Limited and any infringement will be prosecuted under Australian & International Law.



TYPE II
SCREW TOP HEAD / VERTICAL FLANGE OPTION

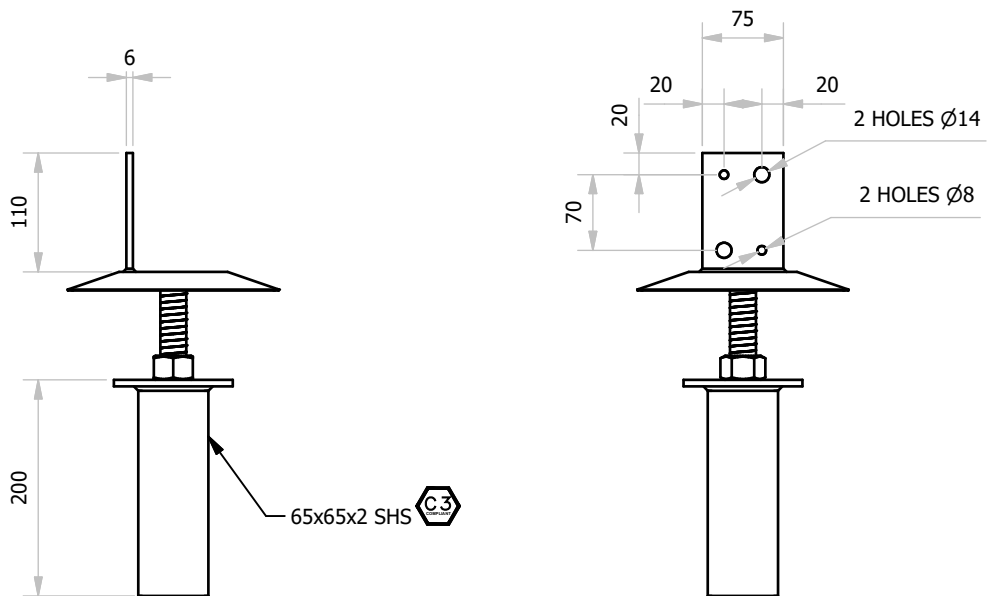
SCREW TOP HEAD NO ANT CAP

HEAD VERTICAL FLANGE 110 X 75 X 6mm
 TO SUIT 75 x 2.5mm POST



SCREW TOP HEAD WITH ANT CAP

HEAD VERTICAL FLANGE 110 X 75 X 6mm
 TO SUIT 75 x 2.5mm POST



Drawing No.

Uni Pier 2025.002.4.2