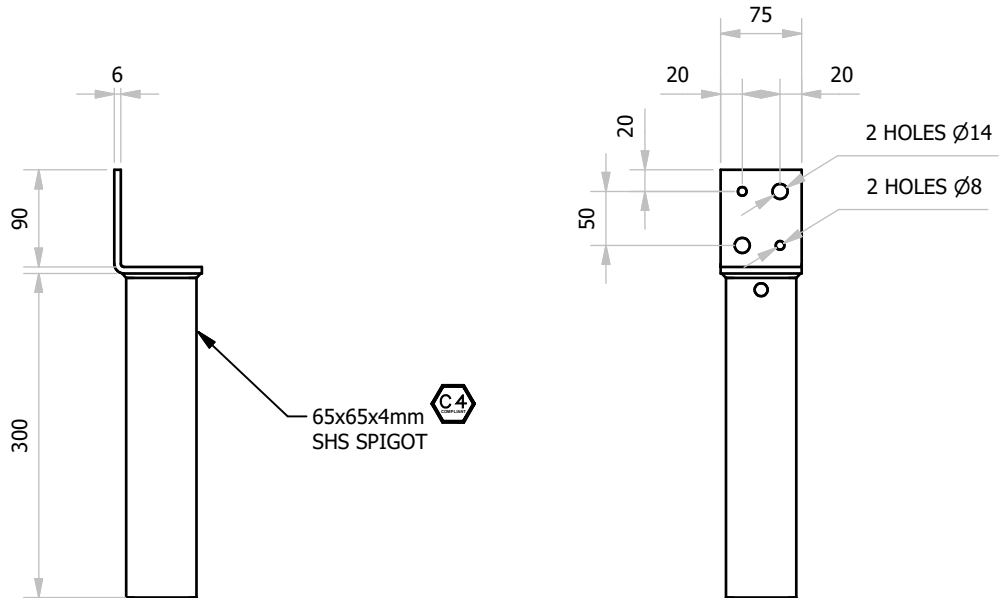




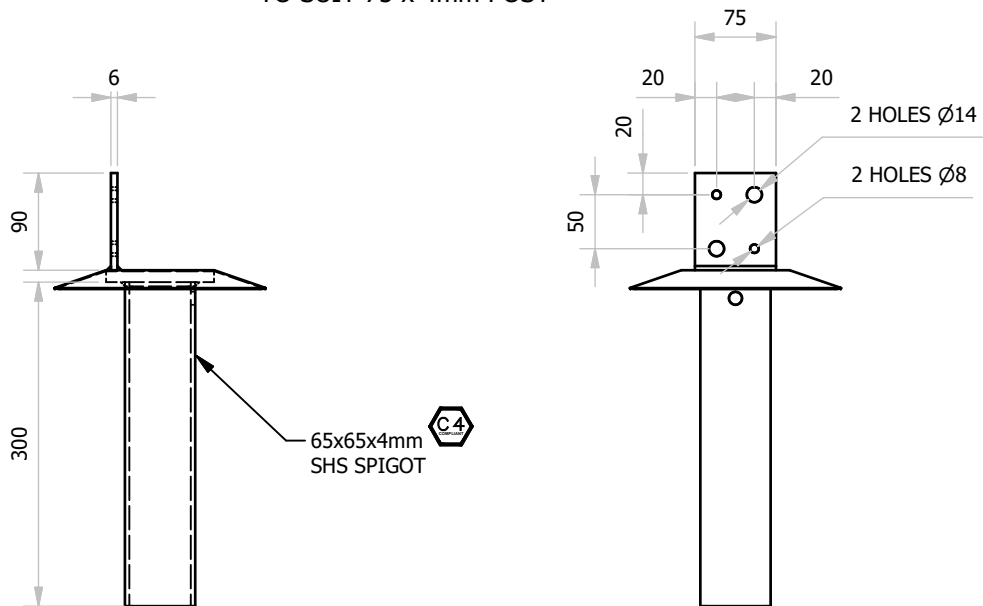
**TYPE I**  
**TELESCOPIC HEAD / VERTICAL FLANGE OPTION**  
**TELESCOPIC HEAD NO ANT CAP**

HEAD VERTICAL FLANGE 90 X 75 X 6mm  
 TO SUIT 75 x 4mm POST



**TELESCOPIC HEAD WITH ANT CAP**

HEAD VERTICAL FLANGE 90 X 75 X 6mm  
 TO SUIT 75 x 4mm POST



Drawing No.

**Uni Pier 2025.003.1.3**

Finish:  
**BATCH HOT DIPPED GALVANISED**

SHEET SIZE  
**A4**

**UNI-PIER Australia Pty Ltd**  
 ACN 131 900 546  
 PO BOX 5258 KAHIBAH, NSW 2283  
 172 Casino Street, SOUTH LISMORE, NSW 2480  
 Phone: 1300 366 362  
 www.unipier.com.au

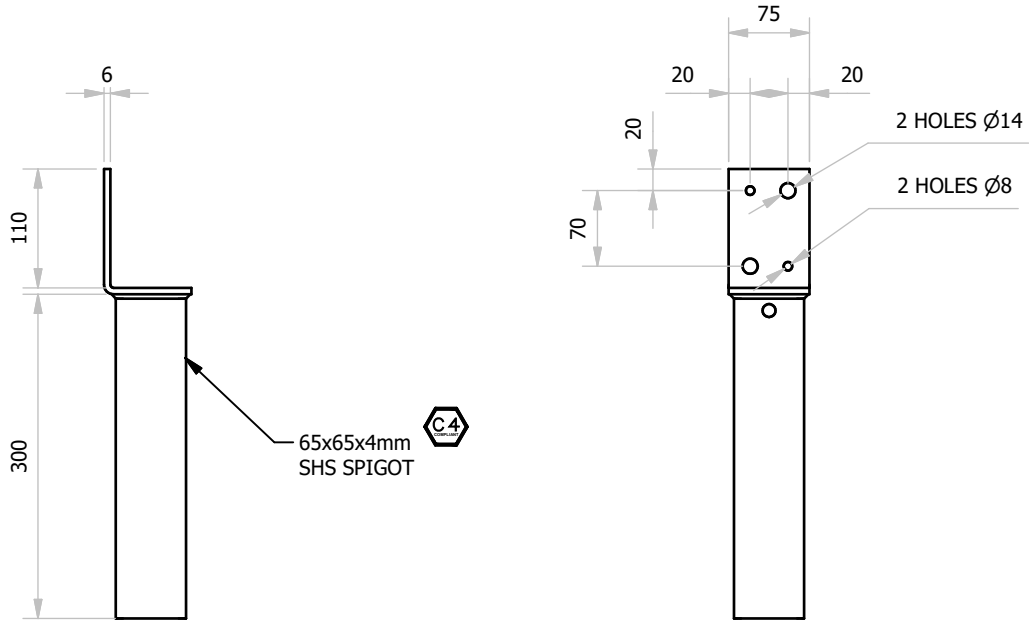
This drawing is the property of Uni Pier Australia Pty Limited and is protected by Copyright and not transferable. It is illegal to copy, communicate and/or disseminate this drawing to a third party without written permission from Uni Pier Australia Pty Limited and any infringement will be prosecuted under Australian & International Law.



**TYPE II**  
**TELESCOPIC HEAD / VERTICAL FLANGE OPTION**

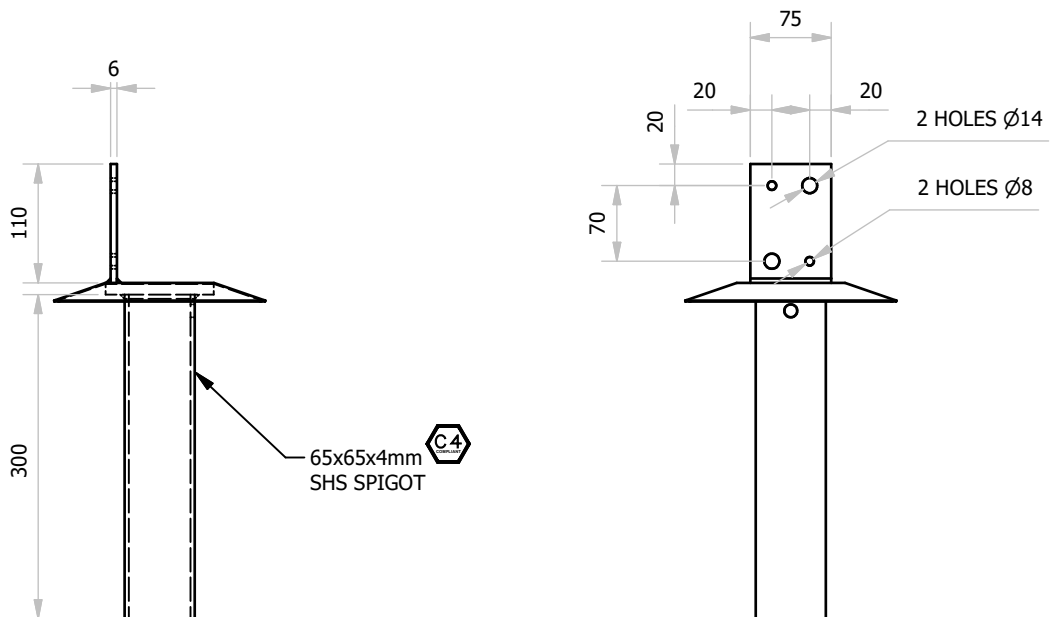
**TELESCOPIC HEAD NO ANT CAP**

HEAD VERTICAL FLANGE 110 X 75 X 6mm  
 TO SUIT 75 x 4mm POST



**TELESCOPIC HEAD WITH ANT CAP**

HEAD VERTICAL FLANGE 110 X 75 X 6mm  
 TO SUIT 75 x 4mm POST



Drawing No.

**Uni Pier 2025.003.2.3**

Finish:  
**BATCH HOT DIPPED GALVANISED**

SHEET SIZE  
**A4**

**UNI-PIER Australia Pty Ltd**  
 ACN 131 900 546  
 PO BOX 5258 KAHIBAH, NSW 2283  
 172 Casino Street, SOUTH LISMORE, NSW 2480  
 Phone: 1300 366 362  
 www.unipier.com.au

This drawing is the property of Uni Pier Australia Pty Limited and is protected by Copyright and not transferable. It is illegal to copy, communicate and/or disseminate this drawing to a third party without written permission from UNI Pier Australia Pty Limited and any infringement will be prosecuted under Australian & International Law.

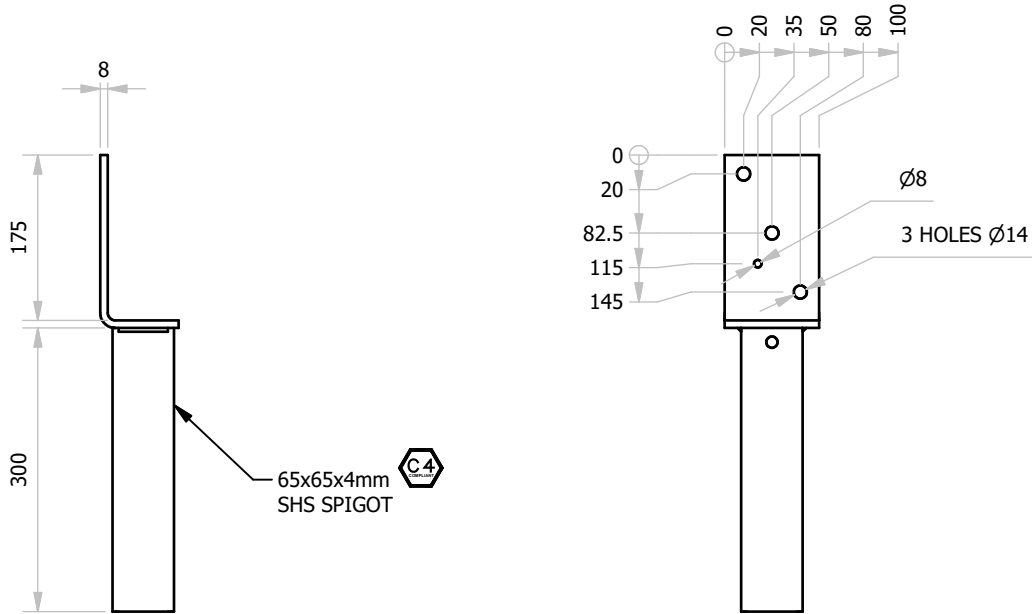
**UNI-PIER®**



**TYPE III**  
**TELESCOPIC HEAD / VERTICAL FLANGE OPTION**

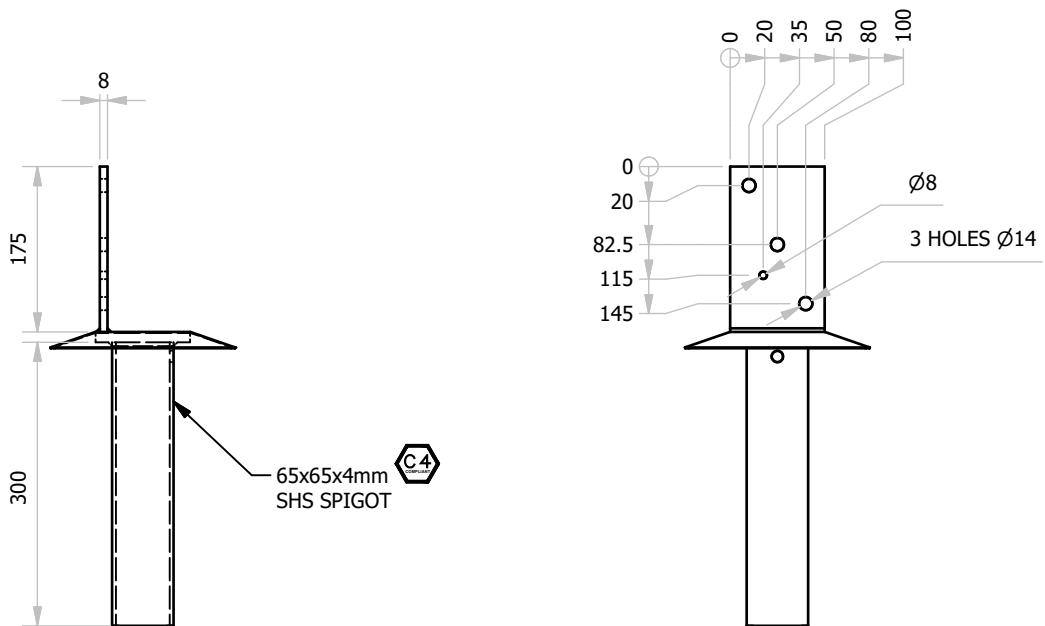
**TELESCOPIC HEAD NO ANT CAP**

HEAD VERTICAL FLANGE 175 X 100 X 8mm  
 TO SUIT 75 x 4mm POST



**TELESCOPIC HEAD WITH ANT CAP**

HEAD VERTICAL FLANGE 175 X 100 X 8mm  
 TO SUIT 75 x 4mm POST



Drawing No.

**Uni Pier 2025.003.3.3**

Finish:  
**BATCH HOT DIPPED GALVANISED**

SHEET SIZE  
**A4**

**UNI-PIER Australia Pty Ltd**  
 ACN 131 900 546  
 PO BOX 5258 KAHIBAH, NSW 2283  
 172 Casino Street, SOUTH LISMORE, NSW 2480  
 Phone: 1300 366 362  
 www.unipier.com.au

This drawing is the property of Uni Pier Australia Pty Limited and is protected by Copyright and not transferable. It is illegal to copy, communicate and/or disseminate this drawing to a third party without written permission from UNI Pier Australia Pty Limited and any infringement will be prosecuted under Australian & International Law.

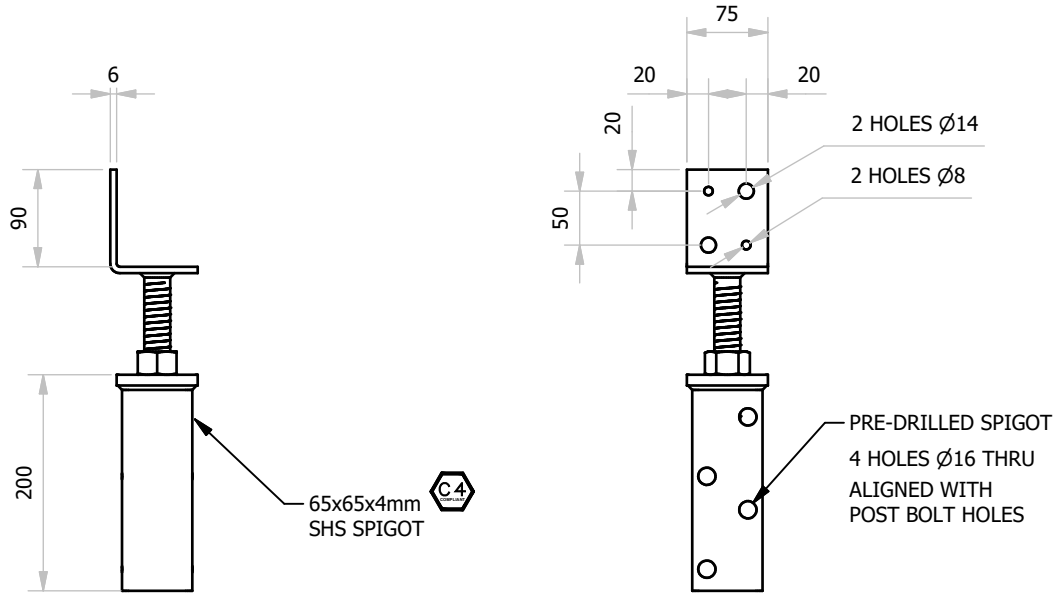


**TYPE I**

**SCREW TOP HEAD / VERTICAL FLANGE OPTION**

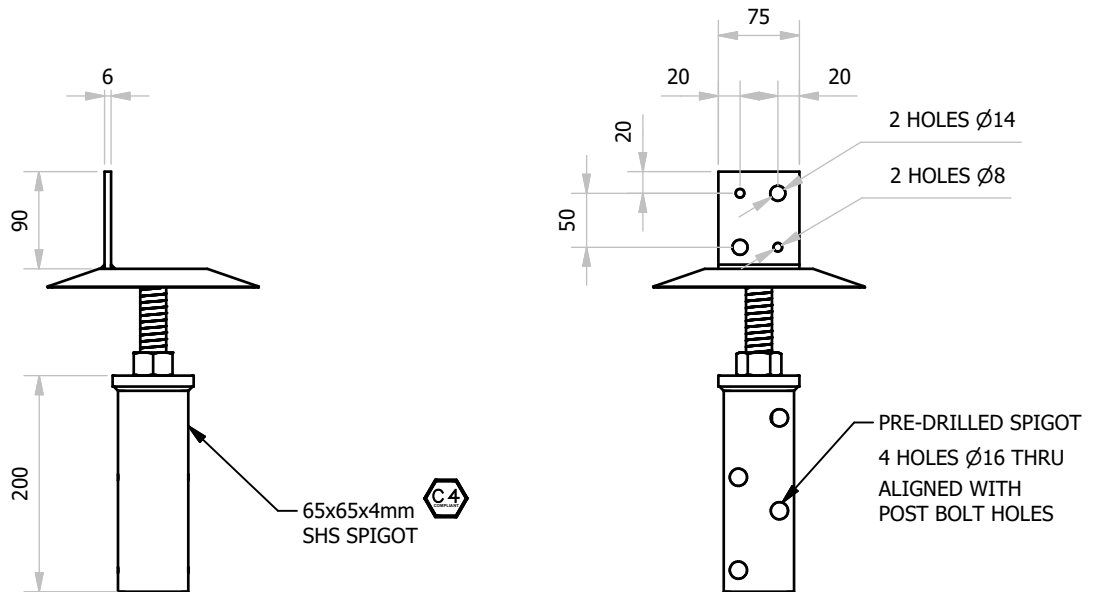
**SCREW TOP HEAD NO ANT CAP**

HEAD VERTICAL FLANGE 90 X 75 X 6mm  
TO SUIT 75 x 4mm POST



**SCREW TOP HEAD WITH ANT CAP**

HEAD VERTICAL FLANGE 90 X 75 X 6mm  
TO SUIT 75 x 4mm POST



Drawing No.

Uni Pier 2025.003.4.3

Finish:  
BATCH HOT DIPPED GALVANISED

SHEET SIZE  
**A4**

UNI-PIER Australia Pty Ltd  
ACN 131 900 546  
PO BOX 5258 KAHIBAH, NSW 2283  
172 Casino Street, SOUTH LISMORE, NSW 2480  
Phone: 1300 366 362  
www.unipier.com.au

This drawing is the property of Uni Pier Australia Pty Limited and is protected by Copyright and not transferable. It is illegal to copy, communicate and/or disseminate this drawing to a third party without written permission from Uni Pier Australia Pty Limited and any infringement will be prosecuted under Australian & International Law.

**UNI-PIER®**

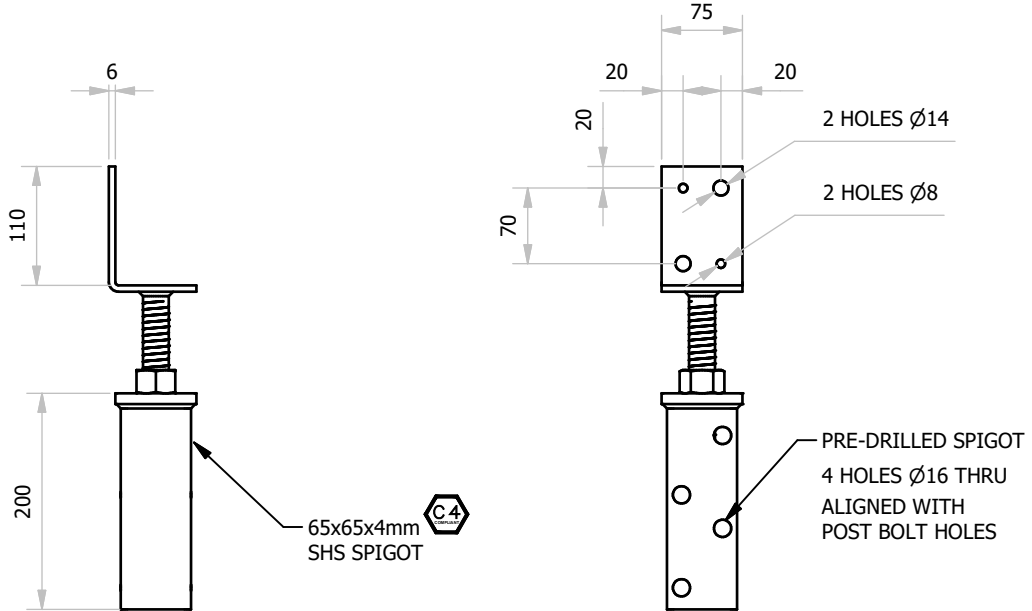


**TYPE II**

**SCREW TOP HEAD / VERTICAL FLANGE OPTION**

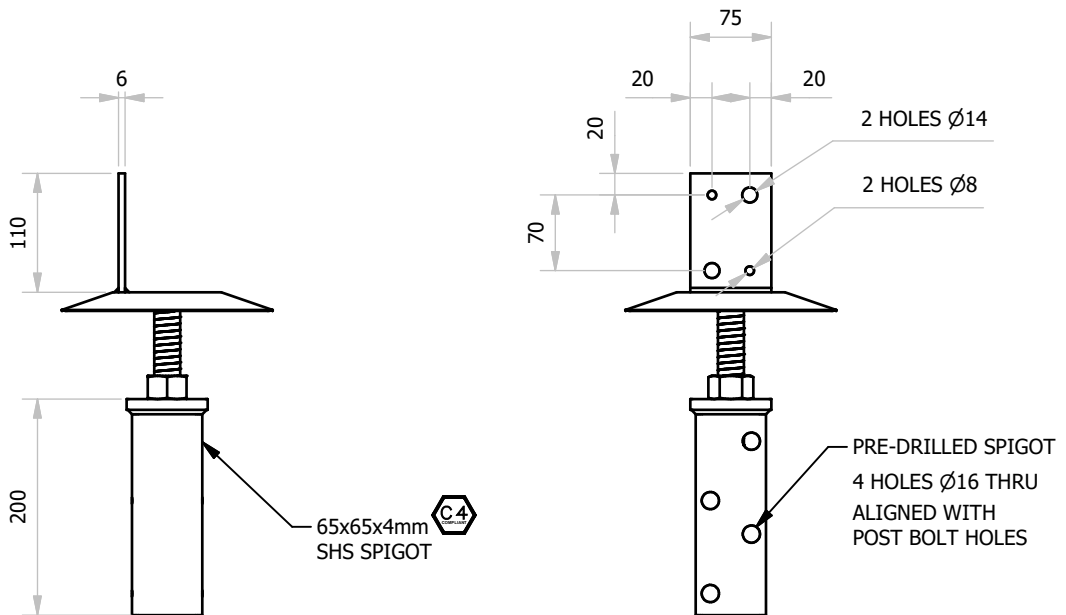
**SCREW TOP HEAD NO ANT CAP**

HEAD VERTICAL FLANGE 110 X 75 X 6mm  
TO SUIT 75 x 4mm POST



**SCREW TOP HEAD WITH ANT CAP**

HEAD VERTICAL FLANGE 110 X 75 X 6mm  
TO SUIT 75 x 4mm POST



Drawing No.

**Uni Pier 2025.003.5.3**

Finish:  
**BATCH HOT DIPPED GALVANISED**

SHEET SIZE  
**A4**

**UNI-PIER Australia Pty Ltd**  
ACN 131 900 546  
PO BOX 5258 KAHIBAH, NSW 2283  
172 Casino Street, SOUTH LISMORE, NSW 2480  
Phone: 1300 366 362  
www.unipier.com.au

This drawing is the property of Uni Pier Australia Pty Limited and is protected by Copyright and not transferable. It is illegal to copy, communicate and/or disseminate this drawing to a third party without written permission from Uni Pier Australia Pty Limited and any infringement will be prosecuted under Australian & International Law.

**UNI-PIER®**

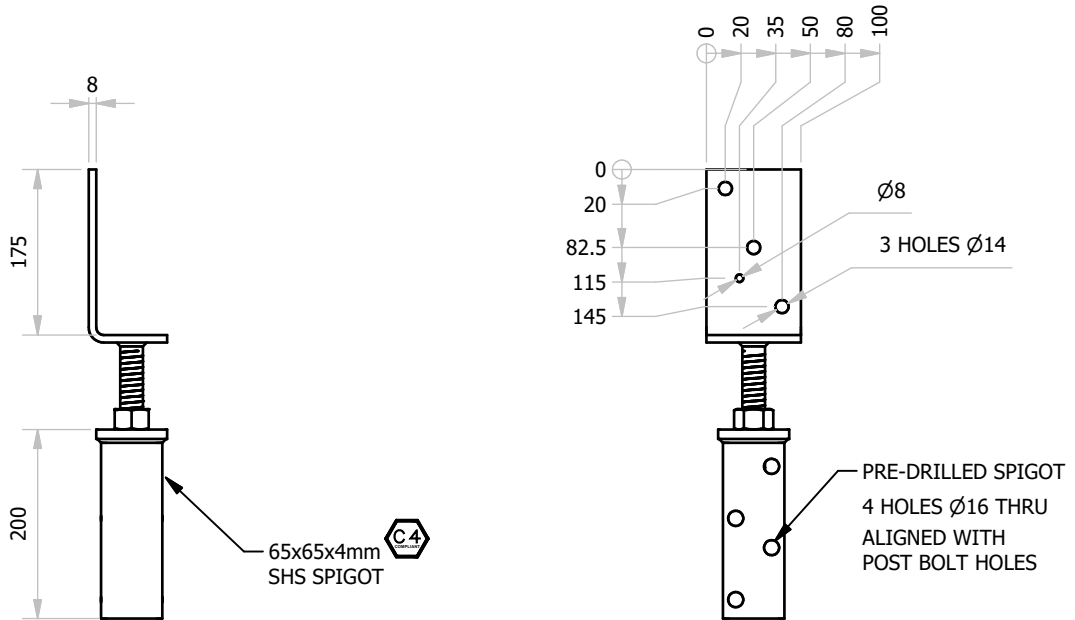


**TYPE III**

**SCREW TOP HEAD / VERTICAL FLANGE OPTION**

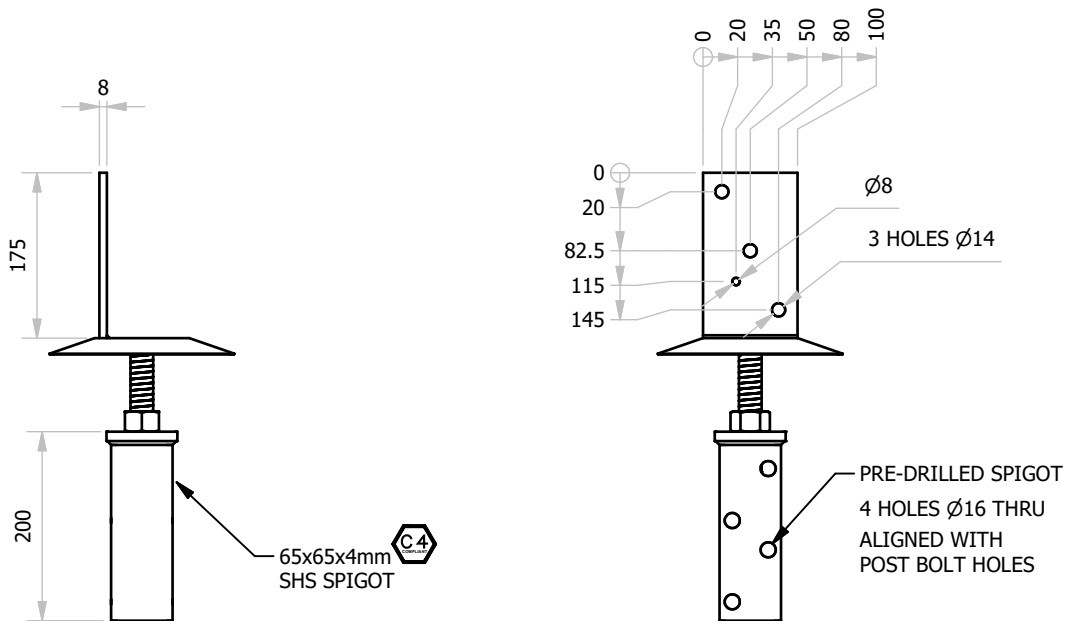
**SCREW TOP HEAD NO ANT CAP**

HEAD VERTICAL FLANGE 175 X 100 X 8mm  
TO SUIT 75 x 4mm POST



**SCREW TOP HEAD WITH ANT CAP**

HEAD VERTICAL FLANGE 175 X 100 X 8mm  
TO SUIT 75 x 4mm POST



Drawing No.

**Uni Pier 2025.003.6.3**

Finish:  
**BATCH HOT DIPPED GALVANISED**

SHEET SIZE  
**A4**

**UNI-PIER Australia Pty Ltd**  
ACN 131 900 546  
PO BOX 5258 KAHIBAH, NSW 2283  
172 Casino Street, SOUTH LISMORE, NSW 2480  
Phone: 1300 366 362  
www.unipier.com.au

This drawing is the property of Uni Pier Australia Pty Limited and is protected by Copyright and not transferable. It is illegal to copy, communicate and/or disseminate this drawing to a third party without written permission from Uni Pier Australia Pty Limited and any infringement will be prosecuted under Australian & International Law.